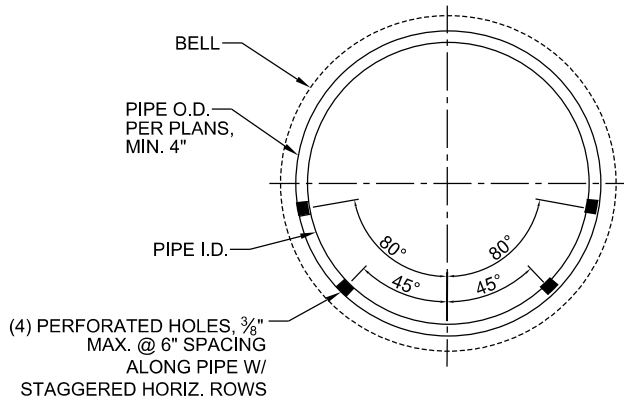


UNDERDRAIN UPTURNED ELBOW



PERFORATED HOLE PLACEMENT

NOTES:

1. PLACEMENT OF THE UNDERDRAIN SHALL BE IN ACCORDANCE WITH THE APPROVED IMPROVEMENT PLANS, OR AS INDICATED BY THE CITY ENGINEER. HORIZONTAL LOCATION MAY VARY AS LONG AS MINIMUM OFFSET DISTANCES AND BOTTOM SLOPES ARE MAINTAINED.
2. PERFORATED PLASTIC PIPE SHALL BE SMOOTH-WALL PVC PLASTIC PIPE HAVING A CELL CLASSIFICATION OF 12454 OR 13364, AS DEFINED IN ASTM D1784.
3. PIPE, FITTING, AND JOINT DIMENSIONS SHALL BE COMPATIBLE AND MEASURED IN ACCORDANCE WITH ASTM D 2122. FITTING AND JOINT MATERIAL SHALL BE COMPATIBLE WITH THE PIPE MATERIAL. GLUE OR PRESS FIT ALL JOINTS PER MANUFACTURER'S SPECIFICATIONS.
4. PIPE PENETRATIONS THROUGH IMPERMEABLE BARRIER SHALL BE SEALED ACCORDING TO PLANS.
5. DEPTH OF UNDERDRAIN MAY BE ADJUSTED TO TIE INTO THE ADJACENT CONNECTION POINT OF THE DOWNSTREAM DRAINAGE INFRASTRUCTURE, AS NEEDED, PER CITY ENGINEER'S APPROVAL.
6. DIMENSIONS OF PERFORATED PVC PIPE, SOLID PVC PIPE, AND ALL FITTINGS SPECIFIED IN PLANS.

CITY OF RALEIGH STANDARD DETAIL		
<i>REVISIONS</i>	DATE: 8/2021	<i>NOT TO SCALE</i>
	UNDERDRAIN DETAIL	
	GSI-07.1	