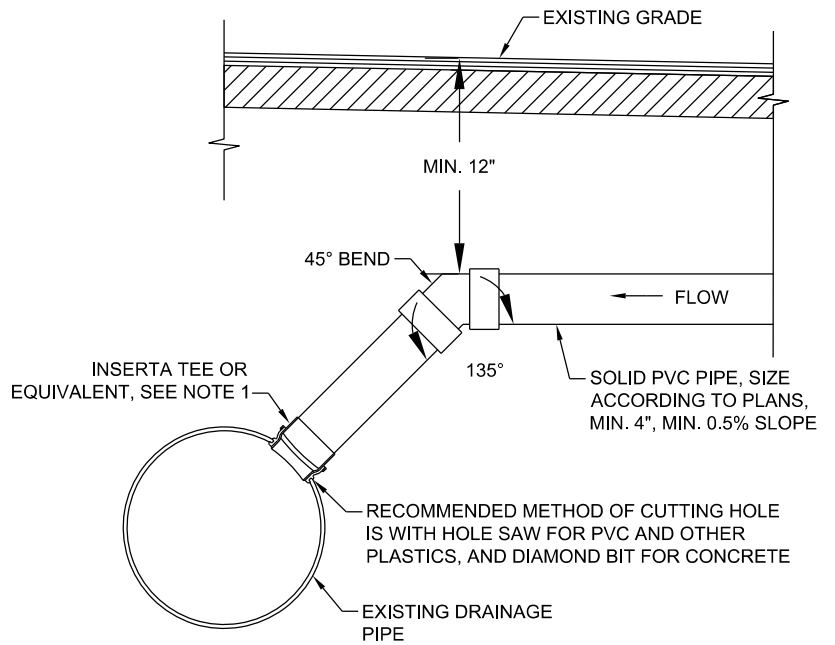


CONNECTION TO EXISTING STORMWATER STRUCTURE



CONNECTION TO EXISTING STORMWATER PIPE

NOTES

1. INSTALL INSERTA TEE PER MANUFACTURER'S SPECIFICATIONS.

CITY OF RALEIGH STANDARD DETAIL		
REVISIONS	DATE: 08/2021	NOT TO SCALE
	UNDERDRAIN CONNECTION TO EXISTING INFRASTRUCTURE	
	GSI-07.2	