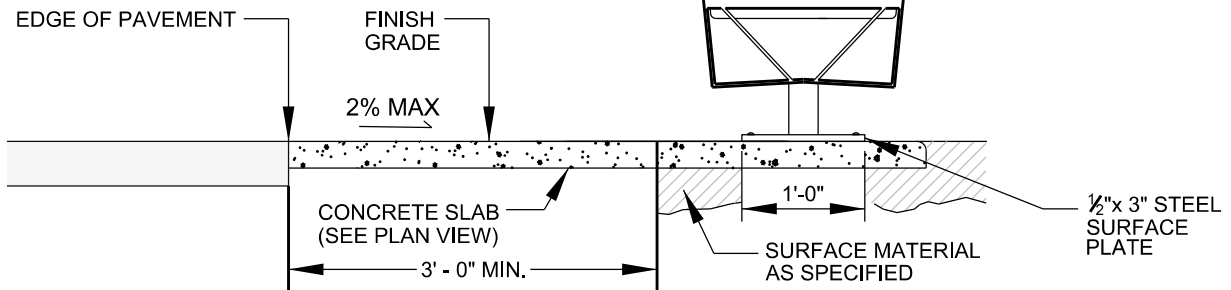
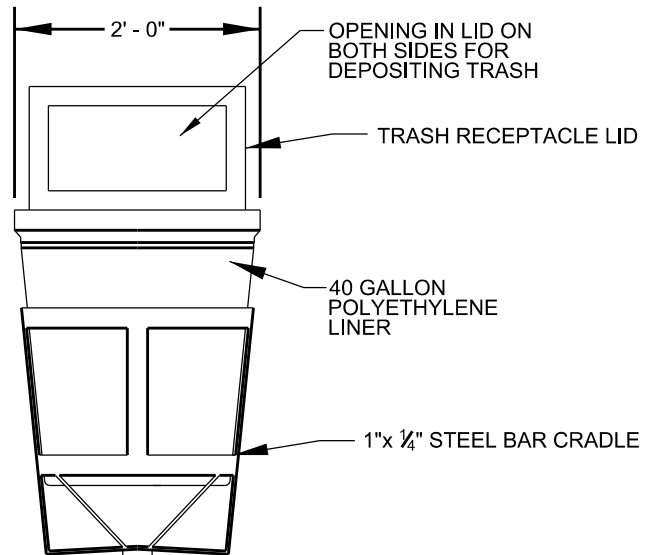


**CONCRETE SLAB
PLAN VIEW**



TRASH RECEPTACLE SIDE VIEW

TRASH RECEPTACLE INSTALLATION SURFACE MOUNT

NOTES:

1. LOCATE RECEPTACLE AT EACH TRAIL HEAD OR AS DIRECTED BY THE CITY. RECEPTACLES AND BENCHES CAN BE LOCATED ON THE SAME CONCRETE PAD IF SIZED APPROPRIATELY. RECEPTACLES MUST BE A MINIMUM OF 4 FEET FROM BENCHES.
2. RECEPTACLES NEED TO BE ACCESSIBLE TO MAINTENANCE PERSONNEL AND GREENWAY TRAIL USERS.
3. DRAINAGE SHOULD SLOPE AWAY FROM RECEPTACLES AND TRAIL.
4. STEEL MEMBERS FINISH: HOT DIP GALVANIZED FINISH AFTER FABRICATION.
5. TRASH RECEPTACLE CRADLE SHALL BE CONSTRUCTED OF 1" X 1/4" STEEL BARS.
6. FOLLOWING FABRICATION, STEEL CRADLE AND POST SHALL BE SEALED IN VINYL TO INHIBIT RUST AND ELIMINATE PERIODIC PAINTING.
7. A 40-GALLON LINER SHALL FIT INSIDE STEEL CRADLE. LINER AND LINER LID SHALL BE CONSTRUCTED OF TOUGH, ROTARY MOLDED POLYETHYLENE WITH A ROCKER BOTTOM. WEIGHT OF LINER SHALL NOT EXCEED 12-POUNDS. LINER LID SHALL BE ATTACHED TO STEEL CRADLE WITH A VINYL CABLE. PROVIDE WEEP HOLE IN LINER TO PERMIT DRAINAGE FOR OUTDOOR APPLICATION. PROVIDE AN OPENING IN THE LID ON BOTH SIDES FOR DEPOSITING LITTER.
8. MOUNTING SHALL BE MANUFACTURER'S STANDARD.
9. TRASH RECEPTACLES ARE SINGLE RECEPTACLES (SEPARATE PIECES WITH SURFACE MOUNT).
10. ACCEPTABLE TRASH RECEPTACLE MANUFACTURER IS BEST LITTER RECEPTACLE, INC RTC-1000, GREEN COLOR OR APPROVED EQUAL BY CITY OF RALEIGH.
11. LID TO BE GREEN COLOR TO MATCH CRADLE. LID TO HAVE TWO OPENINGS.
12. WHEN CONCRETE SLAB IS ADJACENT TO CONCRETE TRAIL, A 1/2" EXPANSION JOINT INSTALLED FULL DEPTH WILL BE REQUIRED WHERE THE CONCRETE SLAB JOINS THE CONCRETE TRAIL.

| CITY OF RALEIGH | | |
|------------------------|---|---------------------|
| STANDARD DETAIL | | |
| <i>REVISIONS</i> | <i>DATE: 12/2022</i> | <i>NOT TO SCALE</i> |
| | TRASH RECEPTACLE INSTALLATION SURFACE MOUNT | |
| GW-50.04 | | |