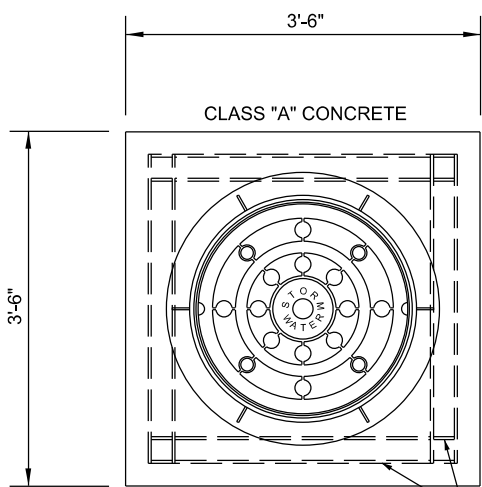


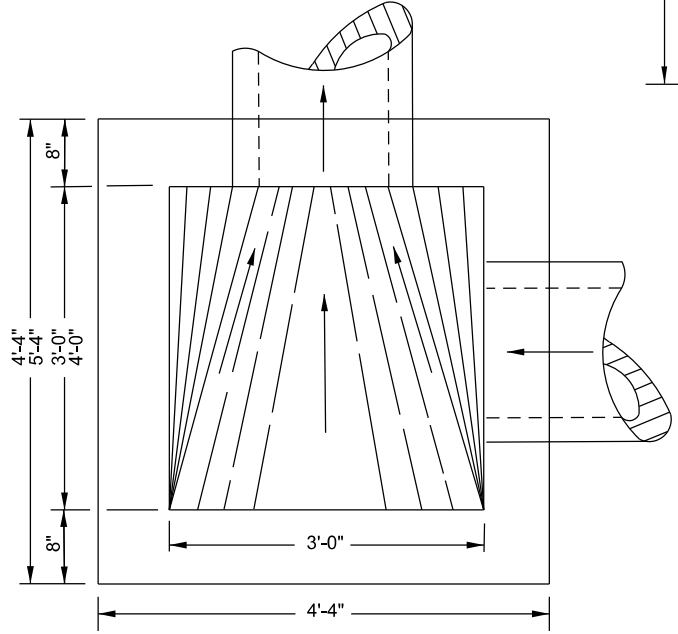
NOTES:

1. FOR 24" PIPE & LARGER USE PIPE DIAMETER PLUS 12" FOR MINIMUM INSIDE DIMENSION.
2. USE 4" X 4" X 8" OR 4" X 8" X 16" SOLID CONCRETE BLOCK. CAST IN PLACE OR PRECAST CONCRETE TO MEET NCDOT STANDARDS ACCEPTABLE.
3. FOR STEP REQUIREMENTS, SEE NOTE 4 ON STANDARD DETAIL SW-10.03.

CONCRETE SLAB TOP



NO.3 REBAR 3" O.C. PLACED 3" FROM EDGE, ALL SIDES.



**CITY OF RALEIGH
STANDARD DETAIL**

REVISIONS	DATE: 8/2020	NOT TO SCALE

STANDARD
JUNCTION BOX

SW-10.04