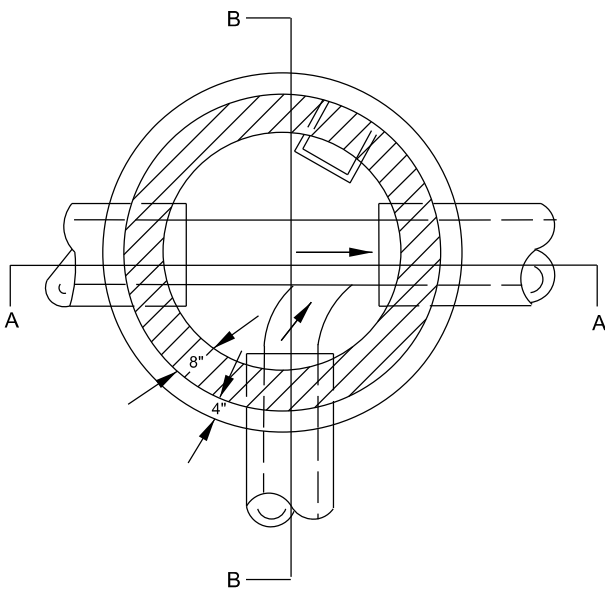
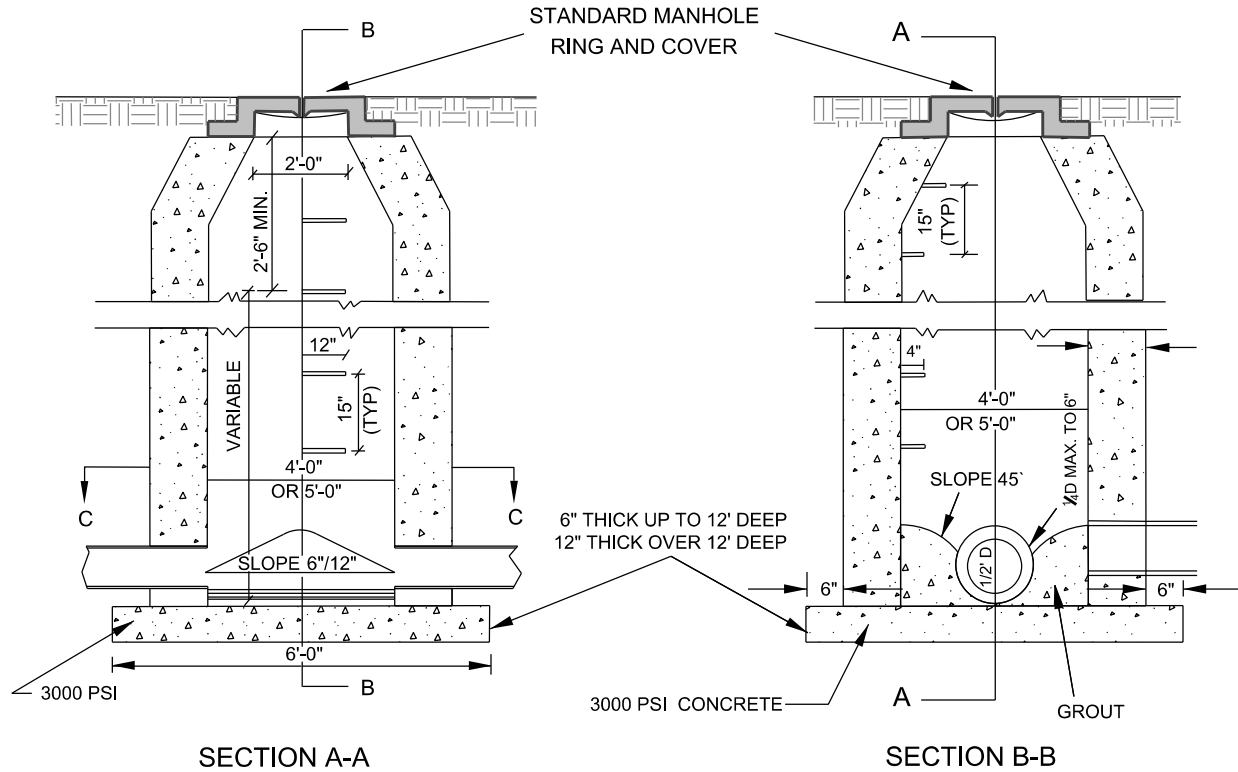


TYPICAL MH FOR STORM SEWER

PIPE SIZE	MH DIAMETER
12-24"	4'-0"
30-42"	5'-0"
48"	6'-0"
54"	8'-0"



NOTES:

1. DEPTH MEASURED FROM TOP OF CASTING TO INVERT OF MANHOLE.
2. PRECAST MANHOLE COMPONENTS SHALL MEET ASTM-C-478 REQUIREMENTS.
3. SEE STANDARD. SW-10.10 FOR MANHOLE COVER DETAIL.
4. DOMESTIC CASTINGS REQUIRED WITHIN STREET RIGHT-OF-WAY.

CITY OF RALEIGH STANDARD DETAIL		
REVISIONS	DATE: 8/2020	NOT TO SCALE
		STANDARD CLASS "A" MANHOLE
		SW-10.05