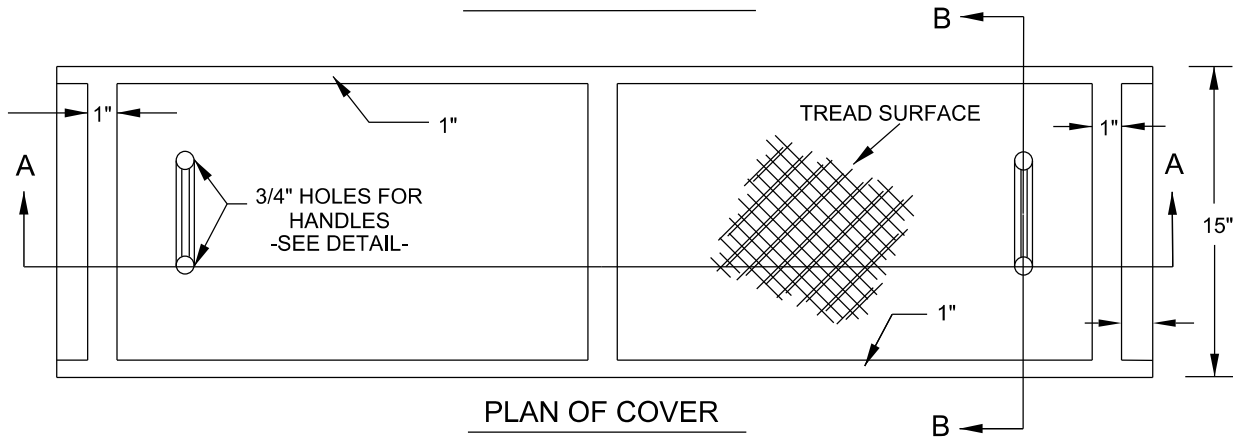
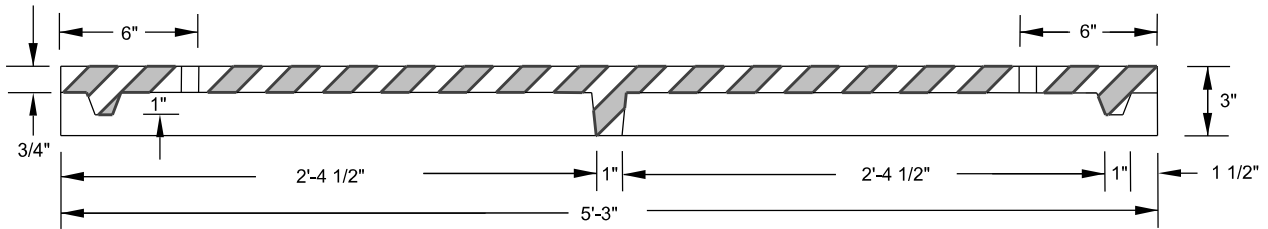


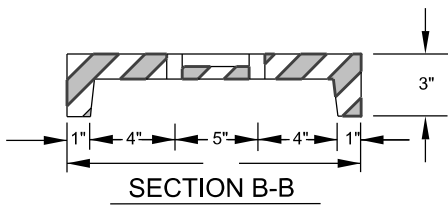
SIDE ELEVATION



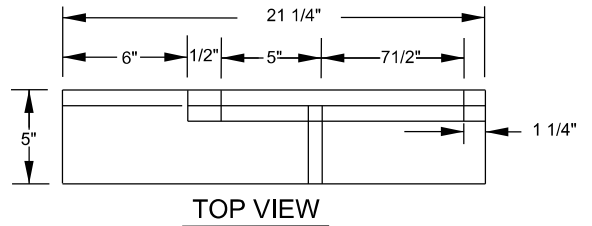
PLAN OF COVER



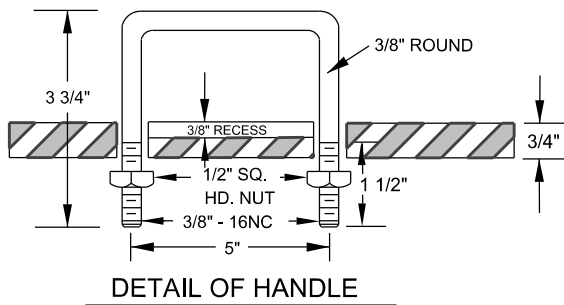
SECTION A-A



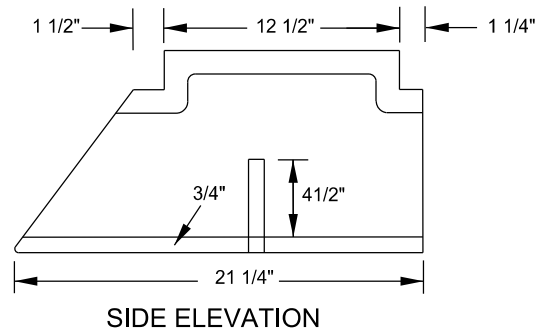
SECTION B-B



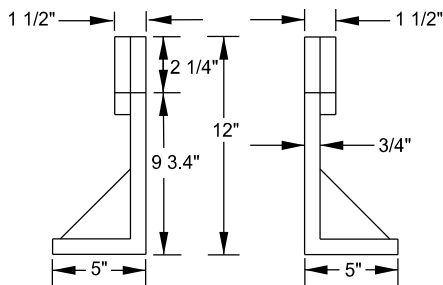
TOP VIEW



DETAIL OF HANDLE



SIDE ELEVATION



END ELEVATION

SHEET 1 OF 2

CITY OF RALEIGH
STANDARD DETAIL

REVISIONS DATE: 8/2020 NOT TO SCALE

CATCH BASIN
CASTINGS

SW-10.06.1