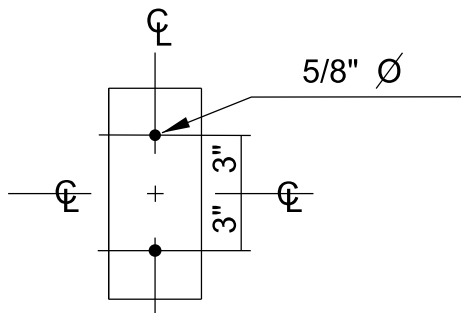
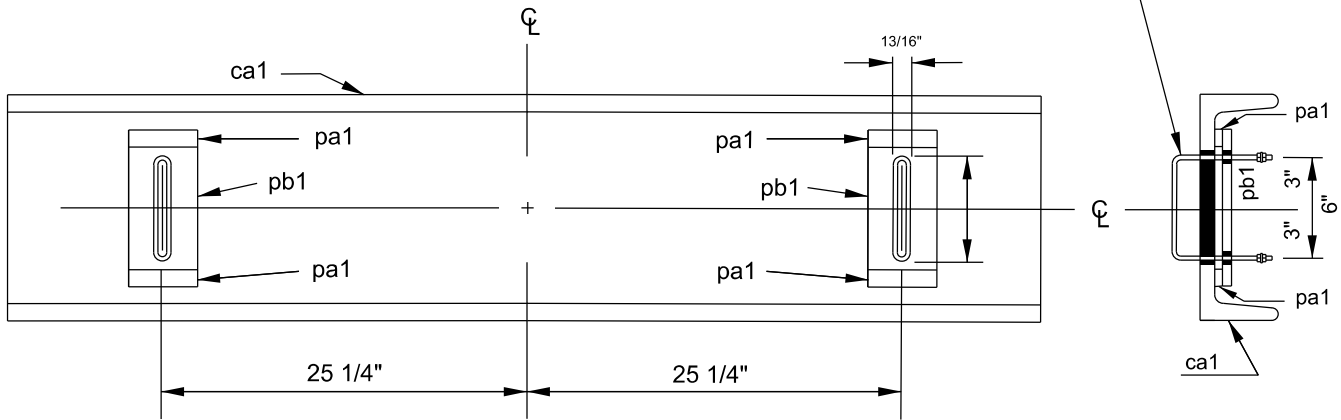


1/2" Ø STAINLESS STEEL DROP HANDLES



DETAIL OF
pb1 PLATES

NOTES:
PAINT WITH RUST INHIBITING BLACK PAINT.

BILL OF MATERIAL		
MATERIAL LIST FOR ONE UNIT - MAKE () UNITS		
1	C15 X 33.9# CHANNEL 62 1/2"	MK-ca1
4	1/8" X 1" H.R. FLAT BAR 3"	MK-pa1
2	3/8" x 3" H.R. FLAT BAR 10"	MK-pb1
2	1/2" STAINLESS STEEL ROUND ROD 18"	
8	1/2" STAINLESS STEEL HEX NUTS	
4	1/2" STAINLESS STEEL FLAT WASHERS	

CITY OF RALEIGH STANDARD DETAIL		
REVISIONS	DATE: 8/2020	NOT TO SCALE
		CATCH BASIN STEEL TOP
		SW-10.07