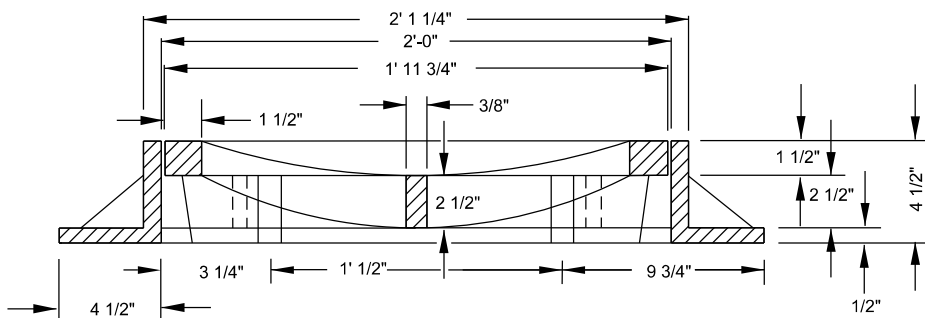


SECTION B-B



SECTION A-A

STANDARD 24" X 36"
DROP INLET CASTING

CITY OF RALEIGH		
STANDARD DETAIL		
REVISIONS	DATE: 8/2020	NOT TO SCALE
	STANDARD DROP INLET CASTING	
SW-10.09		