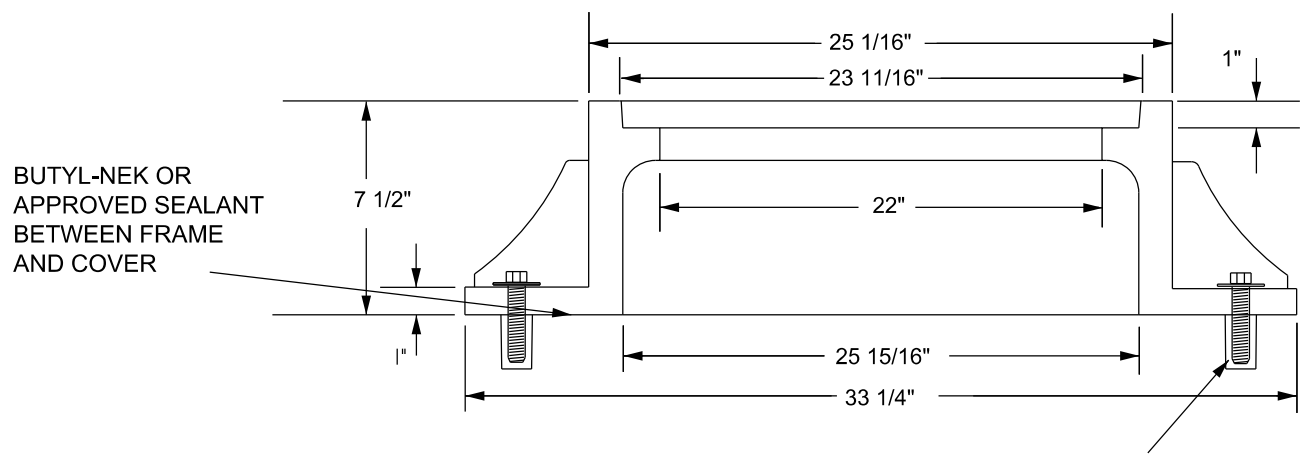


COVER 120 LBS. MINIMUM



5/8"X3" LAGSHIELD IN HOLE DRILLED INTO CONE OR RING WITH ANCHOR SUNK TO DESIGN DEPTH, AND 5/8"X3" HOT DIPPED GALVANIZED LAG BOLT AND WASHER.

NOTES:

1. ALL MANHOLE FRAMES SHALL BE DOMESTICALLY CAST.
2. FRAME SHALL BE A MINIMUM WEIGHT OF 182 LBS. WITHIN PUBLIC ROW AND 160 LBS. WITHIN EASEMENTS.
3. COVER SHALL WEIGH A MINIMUM OF 120 LBS.
4. ALL MANHOLE FRAMES OUTSIDE OF PAVED SURFACE SHALL BE BOLTED TO THE CONE SECTION OR RING WITH A MINIMUM OF 4 BOLTS PER FRAME.

CITY OF RALEIGH		
STANDARD DETAIL		
REVISIONS	DATE: 8/2020	NOT TO SCALE
		STANDARD STORM MANHOLE COVER
		SW-10.10