

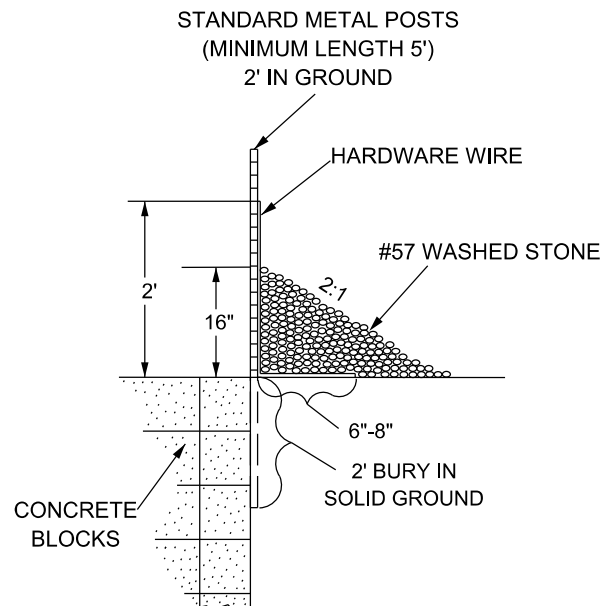
SECTION VIEW

INSTALLATION NOTES:

1. MAXIMUM DRAINAGE AREA TO PRACTICE IS 1 ACRE.
2. SEE NCDEQ SEDIMENT DESIGN MANUAL FOR CONSTRUCTION SPECIFICATIONS, WHERE PRACTICE APPLIES AND PLANNING CONSIDERATIONS AND DESIGN CRITERIA.
3. UNIFORMITY GRADE A SHALLOW DEPRESSION APPROACHING THE INLET.

MAINTENANCE NOTES:

1. MEASURES SHALL BE INSPECTED AT LEAST ONCE A WEEK OR IMMEDIATELY AFTER EACH RAINFALL OF 1.0 INCH OR GREATER. MAKE ANY REQUIRED REPAIRS IMMEDIATELY.
2. CLEAR THE WIRE MESH OF ANY DEBRIS OR OTHER OBJECTS TO PROVIDE ADEQUATE FLOW FOR SUBSEQUENT RAIN EVENTS. SEDIMENT REMOVAL IS REQUIRED WHEN STONE IS 50% FULL. REMOVE SEDIMENT CAREFULLY NOT TO DAMAGE WIRE MESH. REPLACE STONE AS NEEDED TO FACILITATE DE-WATERING.



CITY OF RALEIGH STANDARD DETAIL		
REVISIONS	DATE: 9/2024	NOT TO SCALE
	STANDARD CATCH BASIN YARD INLET PROTECTION	
	SW-20.19	