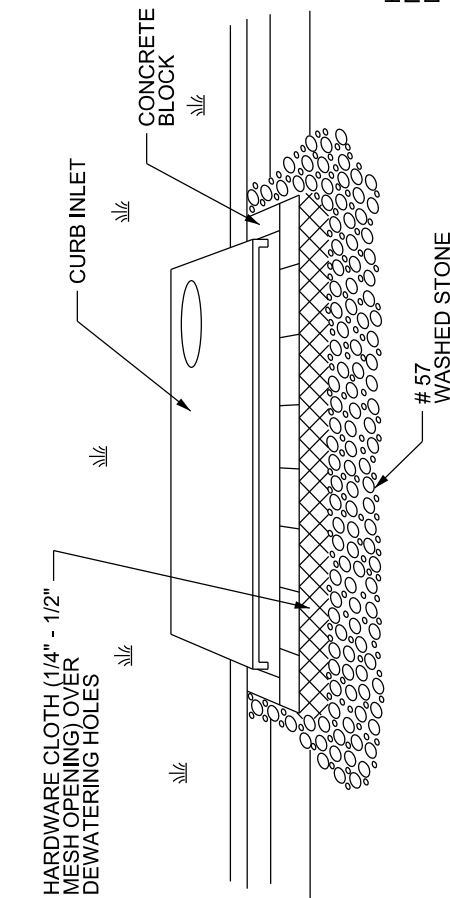


CROSS SECTION VIEW



PERSPECTIVE VIEW

INSTALLATION NOTES:

1. TWO CONCRETE BLOCKS SHALL BE PLACED ON THEIR SIDES ABUTTING THE CURB AT EITHER SIDE OF INLET OPENING. A 2 INCH x 4 INCH STUD SHALL BE CUT AND PLACED THROUGH THE OUTER HOLES OF THE SPACER BLOCKS TO BRACE THE FRONT BLOCKS THAT ARE PLACED ON THEIR SIDES ACROSS THE INLET AND ABUTTING THE SPACER BLOCKS.
2. WIRE MESH OR HARDWARE CLOTH WITH $\frac{1}{4}$ INCH - $\frac{1}{2}$ INCH OPENINGS SHALL BE PLACED OVER THE OUTSIDE VERTICAL FACE (WEBBING) OF THE BLOCKS, TO PREVENT STONE FROM BEING WASHED THROUGH THE HOLES IN THE BLOCKS.
3. STONE SHALL BE PILED AGAINST THE WIRE TO THE TOP OF THE BLOCK, (#57 WASHED STONE).

MAINTENANCE NOTES:

1. MEASURES SHALL BE INSPECTED AT LEAST ONCE A WEEK OR IMMEDIATELY AFTER EACH RAINFALL OF 1.0 INCH OR GREATER. MAKE ANY REQUIRED REPAIRS IMMEDIATELY.
2. CLEAR INLET PROTECTION OF ANY DEBRIS OR OTHER OBJECTS TO PROVIDE ADEQUATE FLOW FOR SUBSEQUENT RAIN EVENTS.
3. SEDIMENT REMOVAL IS REQUIRED WHEN STONE IS 50% FULL. REMOVE SEDIMENT CAREFULLY NOT TO DAMAGE WIRE MESH. REPLACE WITH NEW STONE.
4. REPLACE STONE AS NEEDED TO FACILITATE DEWATERING.

CITY OF RALEIGH STANDARD DETAIL		
REVISIONS	DATE: 9/2024	NOT TO SCALE
	BLOCK AND GRAVEL INLET PROTECTION FOR CURB INLET	
	SW-20.21	