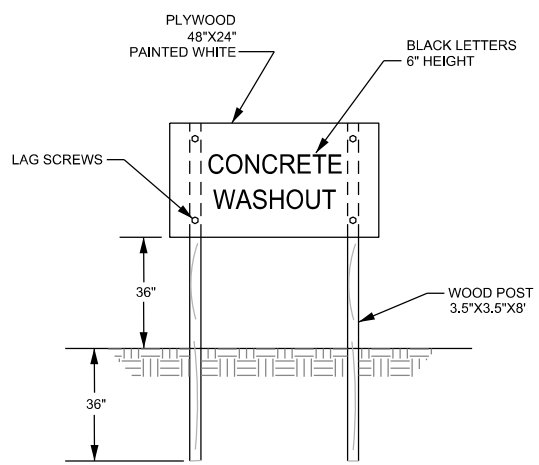
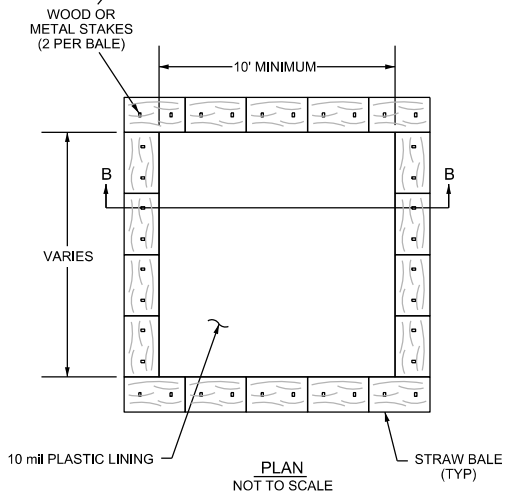
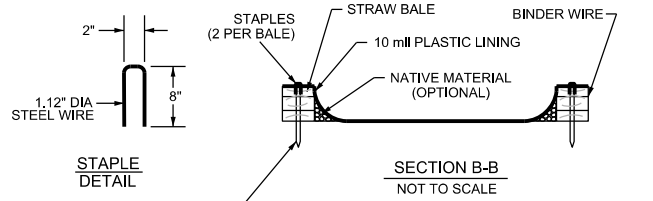


TYPE "ABOVE GROUND" WITH WOOD PLANKS



CONCRETE WASHOUT SIGN DETAIL (OR EQUIVALENT)



TYPE "ABOVE GROUND" WITH STRAW BALES

NOTES:

1. ACTUAL LAYOUT TO BE DETERMINED IN THE FIELD.
2. A CONCRETE WASHOUT SIGN SHALL BE INSTALLED WITHIN 30' OF THE TEMPORARY CONCRETE WASHOUT FACILITY.
3. MATERIALS USED TO CONSTRUCT TEMPORARY CONCRETE WASHOUT FACILITIES SHALL BE REMOVED FROM THE SITE OF THE WORK AND DISPOSED OF OR RECYCLED.
4. HOLES, DEPRESSIONS OR OTHER GROUND DISTURBANCE CAUSED BY THE REMOVAL OF THE TEMPORARY CONCRETE WASHOUT FACILITIES SHALL BE BACKFILLED, REPAIRED, AND STABILIZED TO PREVENT EROSION.
5. MUST BE LOCATED >50 FT AWAY FROM INLETS/WATERWAYS UNLESS THERE IS NO OTHER PRACTICAL ALTERNATIVE.

CITY OF RALEIGH STANDARD DETAIL		
<i>REVISIONS</i>	<i>DATE: 8/2020</i>	<i>NOT TO SCALE</i>
CONCRETE WASHOUT		
SW-20.25		