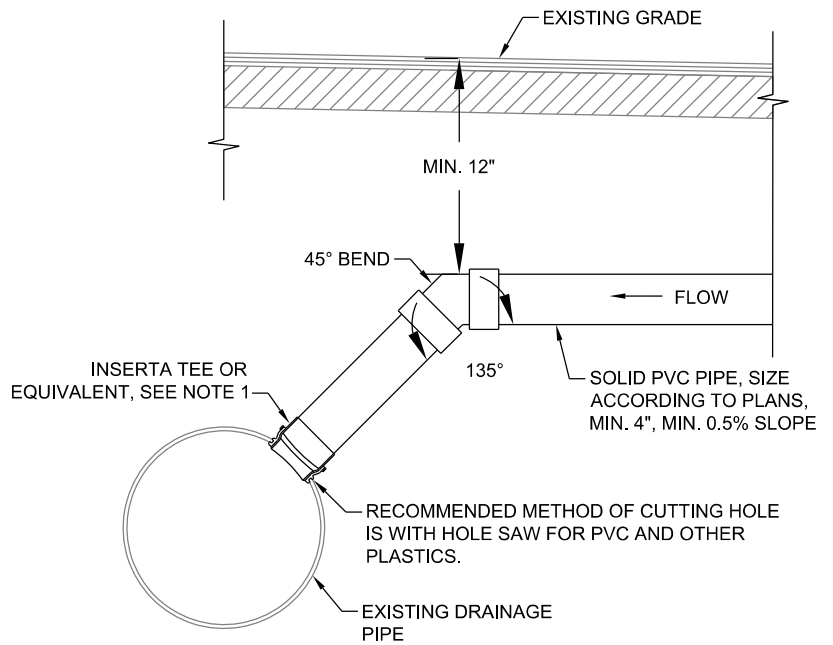


CONNECTION TO EXISTING STORMWATER STRUCTURE



CONNECTION TO EXISTING STORMWATER PIPE

NOTES

1. INSTALL INSERTA TEE PER MANUFACTURER'S SPECIFICATIONS. ONLY ALLOWED FOR PLASTIC PIPES.

CITY OF RALEIGH STANDARD DETAIL		
REVISIONS	DATE: 9/2024	NOT TO SCALE
	UNDERDRAIN CONNECTION TO EXISTING INFRASTRUCTURE	
	SW-30.07.2	