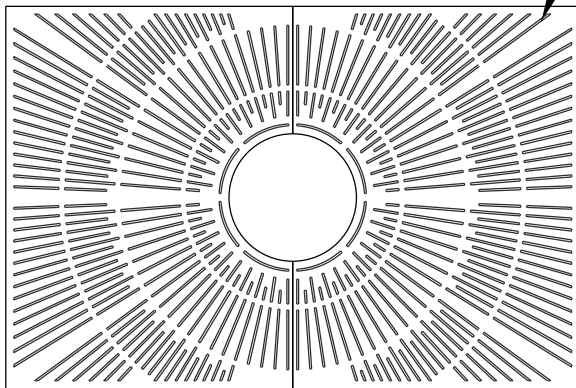


GRAY IRON, RECTANGULAR 4'X6', 1.5" MIN. THICK, WITH 1/4" OPENING OR LESS

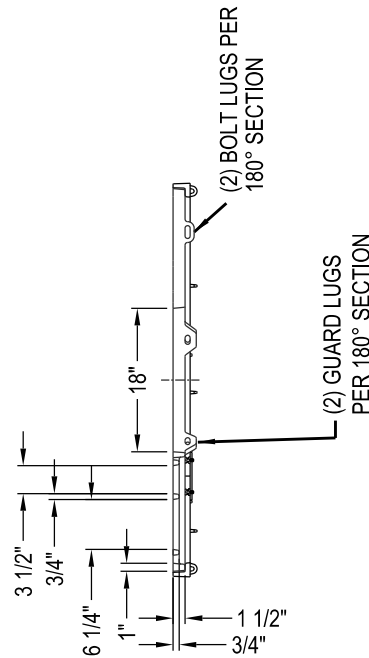
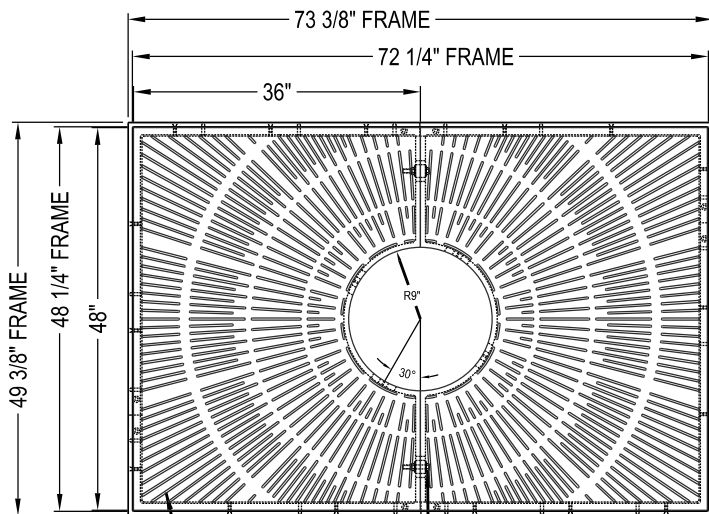


NOTES:

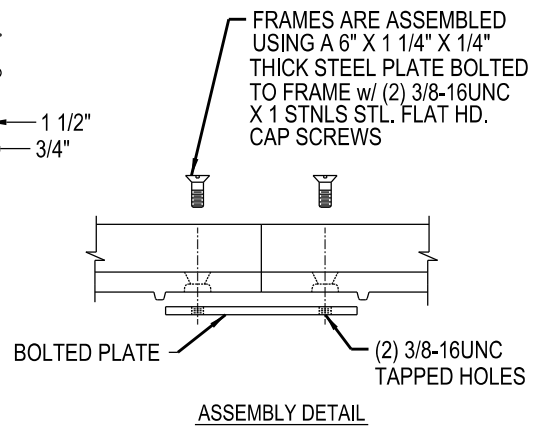
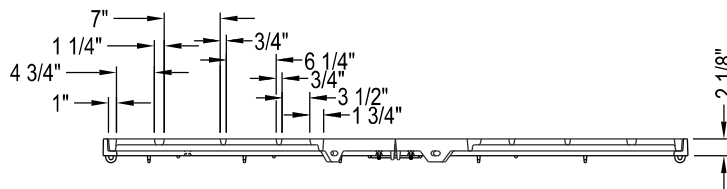
1. GRATE DESIGN MUST BE ADA COMPLIANT.
2. GENERAL PATTERN DESIGN MUST BE AS SHOWN.
3. EXCEPTIONS OR PERSONALIZATION MUST BE REVIEWED AND APPROVED BY THE CITY OF RALEIGH.
4. A TREE IMPACT PERMIT IS REQUIRED.
5. ADHERE TO STANDARDS IN THE CITY TREE MANUAL.
6. ELECTRIC OUTLETS AND OTHER UTILITIES ARE PROHIBITED IN THE GRATE AREA.

CONTACT INFORMATION:

CITY OF RALEIGH PARKS, RECREATION AND CULTURAL RESOURCES DEPARTMENT URBAN FORESTER:TREES@RALEIGHNC.GOV WWW.RALEIGHNC.GOV



BOLT TREE GRATE HALVES TOGETHER w/ (2) 1/2"-13 x 3" STNL. STL. HEX BOLTS, GALV. FLAT WASHERS AND STNL. STL. HEX NUT



NOTE: ALL DIMENSIONS SHOWN ARE IN ENGLISH  
 MATERIAL: CAST GRAY IRON ASTM A-48, CLASS 35B  
 FINISH: NO PAINT  
 WEIGHT: 608#/SET

CITY OF RALEIGH STANDARD DETAIL		
REVISIONS	DATE: 8/2020	NOT TO SCALE
	TREE GRATE IN SIDEWALK WITHIN ROW	
	<b>TPP-06</b>	