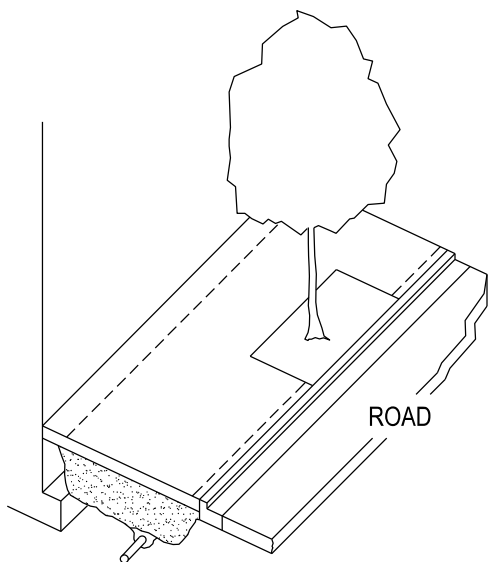
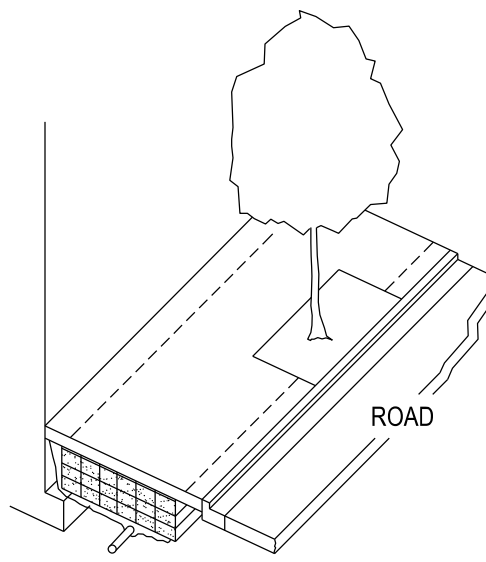


NOTES:

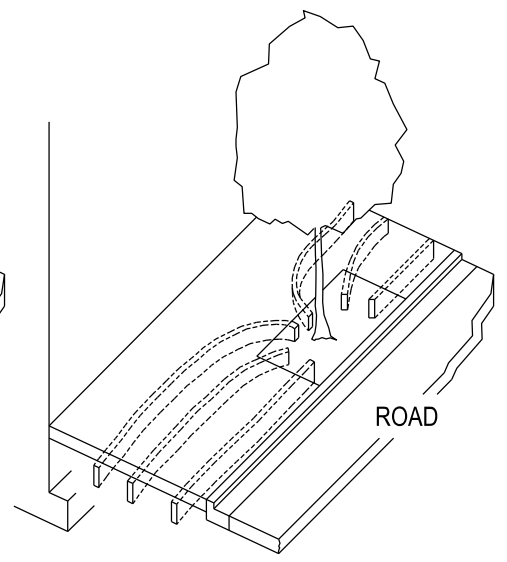
1. A SITE SPECIFIC PLAN MUST BE DEVELOPED TO ENSURE THAT:
 - 1.1. EACH TREE IS PROVIDED A MIN. ROOT-ACCESSIBLE SOIL VOLUME OF 600 CUBIC FEET.
 - 1.2. THE TREE ROOT AREA BENEATH THE SIDEWALK IS EXPANDED TO MAXIMIZE ROOT ACCESSIBLE SOIL SPACE UNDER THE PAVEMENT.
 - 1.3. CONNECT SOIL SPACE FOR ROOT EXPANSION WHERE POSSIBLE TO ALLOW ROOT SYSTEMS OF TREES TO OVERLAP AND COLONIZE A SHARED SOIL SPACE.
 - 1.4. ANY COMBINATION OF STRUCTURAL SOILS, SOIL CONTAINMENT SYSTEM (e.g., SILVA CELL), OR ROOT CHANNELING (e.g., SOIL STRIP DRAIN/AERATION SYSTEM) THAT PERFORMS AS SPECIFIED IS ACCEPTABLE.
3. 40' X 6' WIDTH MINIMUM APPLIES TO BOTH STRUCTURAL SOILS AND SUBSURFACE SOIL CONTAINMENT SYSTEMS.
4. SUBSURFACE APPLICATION SHALL BE REVIEWED AND APPROVED BY CITY OF RALEIGH PARKS, RECREATION AND CULTURAL RESOURCES URBAN FORESTRY DIVISION PRIOR TO INSTALLATION.



STRUCTURAL SOIL SYSTEM



SOIL CONTAINMENT SYSTEM



ROOT CHANNELING/PATHWAYS

CONTACT INFORMATION:
 CITY OF RALEIGH PARKS, RECREATION AND CULTURAL RESOURCES DEPARTMENT
 URBAN FORESTER: TREES@RALEIGHNC.GOV
 WWW.RALEIGHNC.GOV

CITY OF RALEIGH STANDARD DETAIL		
REVISIONS	DATE: 8/2020	NOT TO SCALE
	TREE PLANTING IN SIDEWALK WITHIN ROW	
TPP-07		