

VALVE SIZE	MH DIA.
16"	5'
24"	6'
≥30"	8'

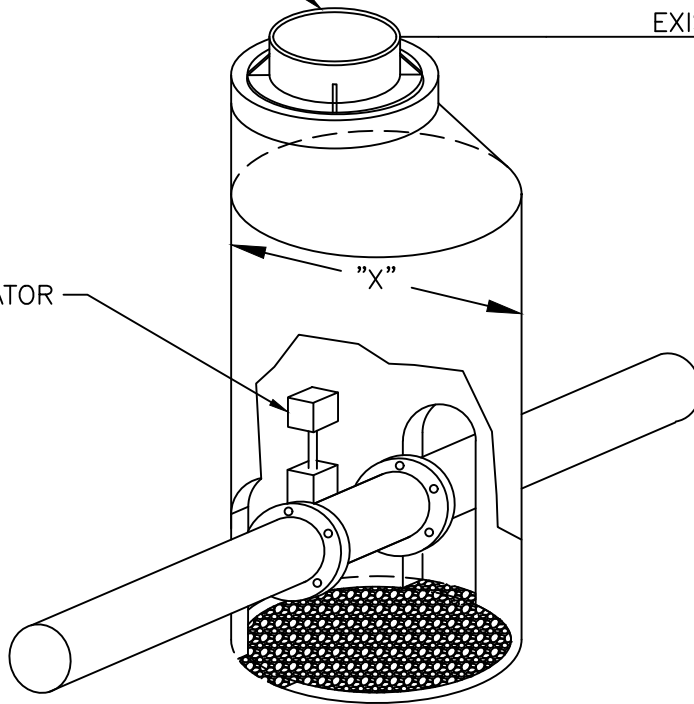
NOTES:

1. USE STANDARD PRECAST ECCENTRIC TOP.
2. BASE SECTION SHALL BE OF "DOG HOUSE" TYPE TO FIT OVER MAIN.
3. PROVIDE A MIN. OF 12" OF #67 STONE FOR POSITIVE DRAINAGE IN BOTTOM OF MANHOLE.
4. GROUT RISER/BASE SECTION AS NECESSARY.
5. MANHOLE LID SHALL SAY "REUSE".
6. FLAT TOP MAY BE USED IN NON-PAVED AREAS WHEN NECESSARY TO MATCH GRADE.

ECCENTRIC TOP WITH COVER  
OPENING OVER ACTUATOR

EXISTING GRADE

NUT TYPE ACTUATOR



**CITY OF RALEIGH**  
**STANDARD DETAIL**

REVISIONS	DATE: 01/18/2025	NOT TO SCALE
-----------	------------------	--------------

	BUTTERFLY VALVE MANHOLE FOR 16" AND LARGER MAINS
--	---

**R-13**