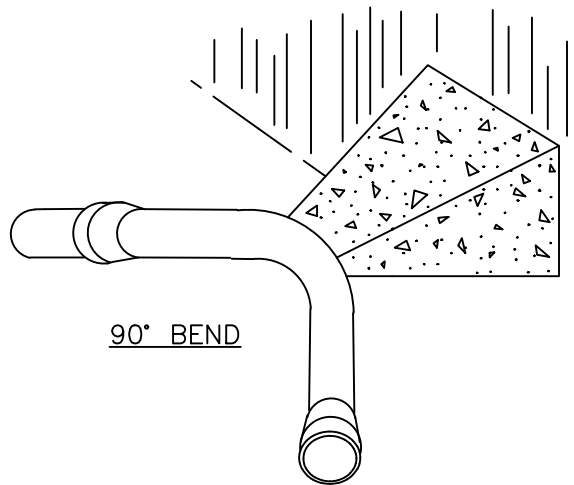
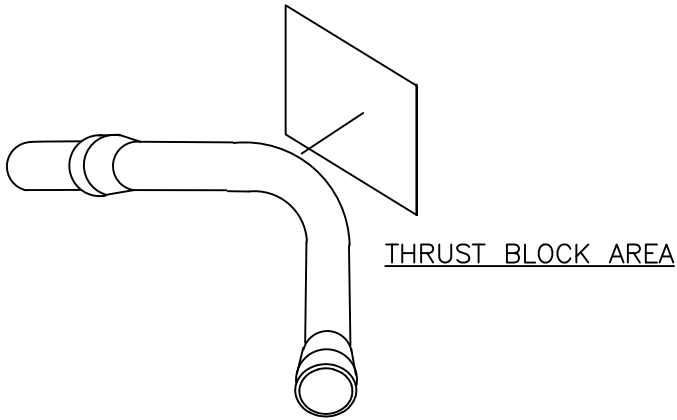
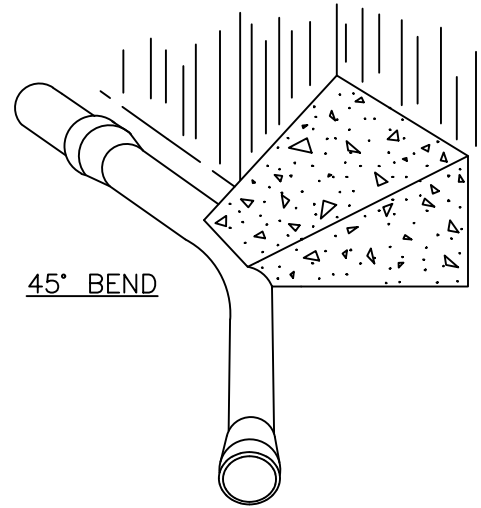
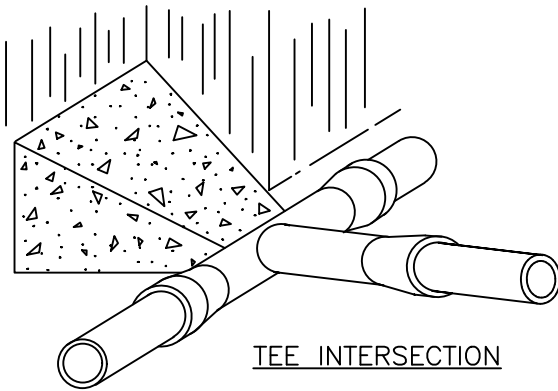


THRUST BLOCKING



NOTES:

1. CONCRETE SHALL BE 3,000 PSI.
2. CONCRETE SHALL NOT CONTACT BOLTS OR ENDS OF MECHANICAL JOINT FITTINGS.
3. TRENCHES SHALL CONFORM TO DETAIL R-3A & R-3B.
4. SEE DETAIL R-7 & R-8 (THRUST BLOCK TABLES), FOR AREA OF CONCRETE REQUIRED.
5. ALL BENDS AND INTERSECTIONS SHALL HAVE CONCRETE THRUST BLOCKING.

**CITY OF RALEIGH  
STANDARD DETAIL**

<i>REVISIONS</i>	<i>DATE: 01/18/2025</i>	<i>NOT TO SCALE</i>
------------------	-------------------------	---------------------

	THRUST BLOCKING VIEWS
--	-----------------------

**R-6**