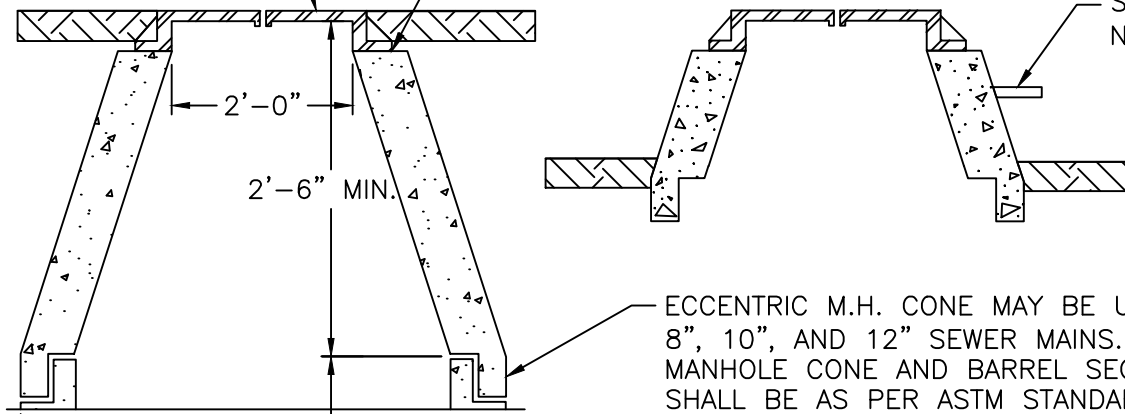


SEE DETAIL S-25 FOR  
MANHOLE FRAME AND COVER

NEW MANHOLES USE A BUTYL  
SEALANT BETWEEN FRAME AND  
MANHOLE TOP SECTION WHEN  
SECURING FRAME TO MANHOLE TO  
PROVIDE A WATER TIGHT SEAL

STEP, SEE  
NOTE #3



ECCENTRIC M.H. CONE MAY BE USED ON  
8", 10", AND 12" SEWER MAINS.  
MANHOLE CONE AND BARREL SECTIONS  
SHALL BE AS PER ASTM STANDARDS

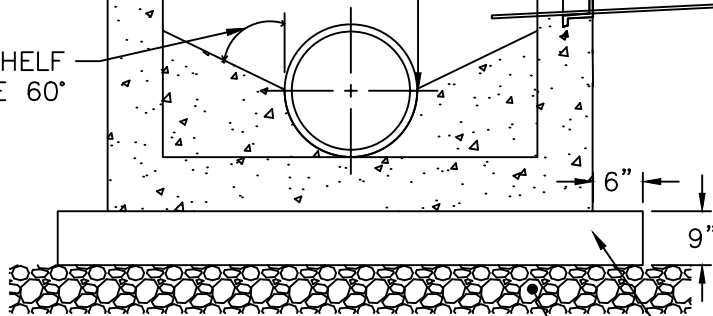
"O" RING SEAL  
OR RAM-NECK  
RUBBER BOOT

NOTES:

1. LATERAL INVERT SHALL NOT BE LOWER THAN MAIN SPRING LINE.
2. MANHOLE SHALL BE 3' ABOVE 100 YEAR FLOOD PLAIN OR SEALED AND VENTED TO 3' ABOVE 100 YEAR FLOOD PLAIN.
3. WHEN MANHOLE TOPS ARE IN EXCESS OF 3' ABOVE GRADE, OUTSIDE STEPS MUST BE PROVIDED. SEE DETAIL S-28 FOR STEP.
4. IN NON TRAFFIC AREAS, TOP OF FRAME AND COVER SHALL BE INSTALLED A MIN. OF 1' ABOVE FINISHED GROUND SURFACE.

4'-6' DIA.  
AS REQUIRED  
VARIABLE

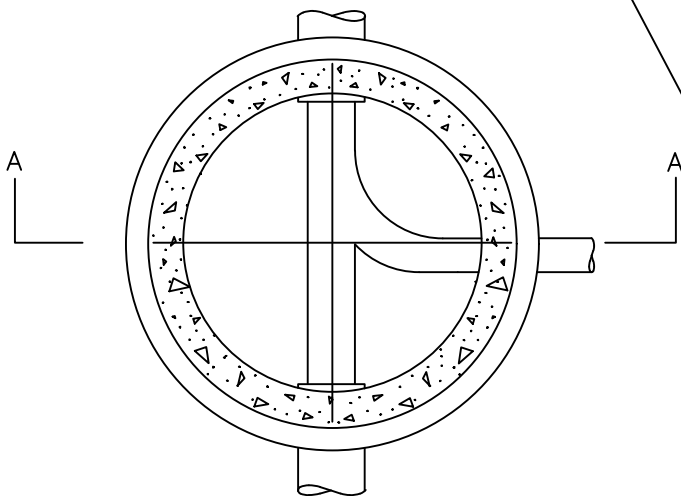
SHELF  
SLOPE 60°



SECTION A-A

SEE SEWER  
DESIGN SECTION

MIN. 9" COMPACTED #67 STONE BASE TO  
BE INSTALLED UNDER NEW MANHOLE.



**CITY OF RALEIGH**  
**STANDARD DETAIL**

REVISIONS DATE: 01/18/2025 NOT TO SCALE

STANDARD PRECAST  
SANITARY SEWER  
MANHOLE

**S-20**