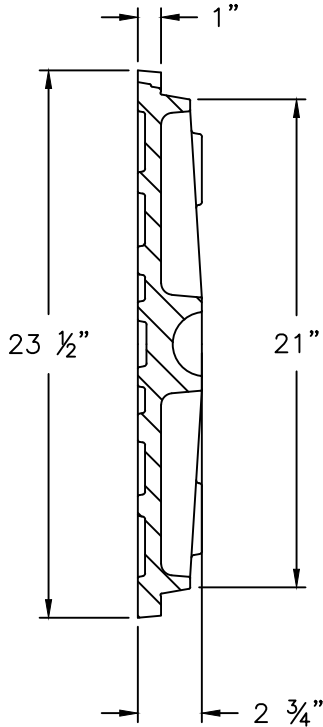
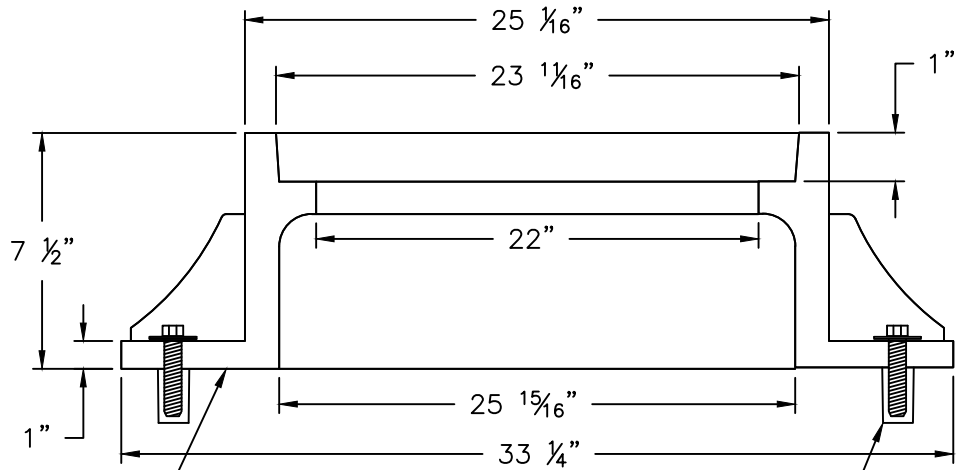
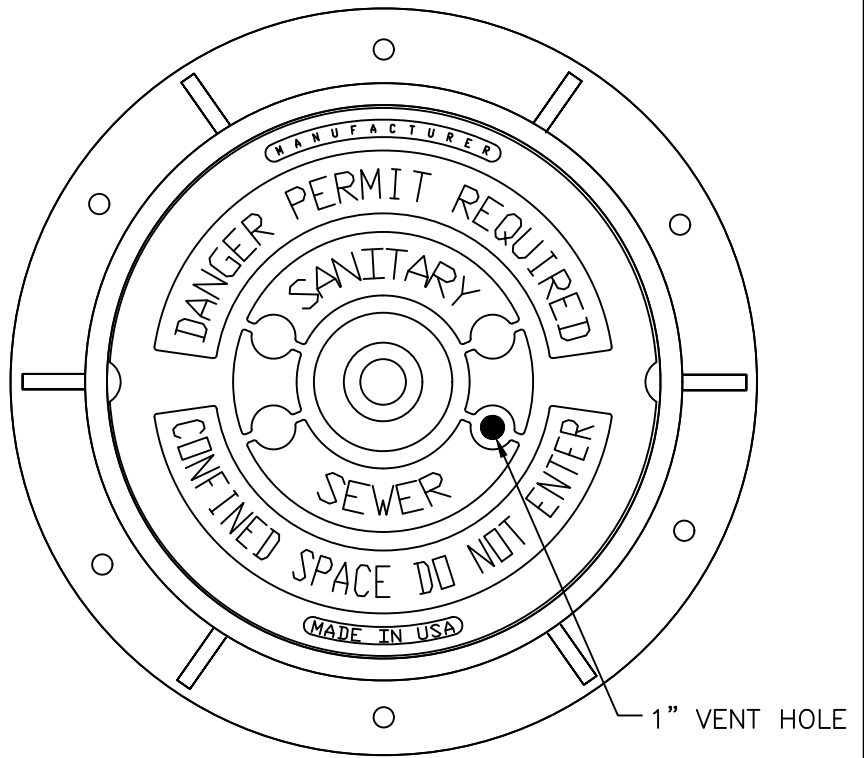


MANHOLE FRAME AND COVER



COVER 120 LBS. MINIMUM



BUTYL-NEK OR APPROVED SEALANT BETWEEN FRAME AND COVER

5/8"x3" LAGSHIELD IN HOLE DRILLED INTO CONE OR RING WITH ANCHOR SUNK TO DESIGN DEPTH, AND 3/8"x3" HOT DIPPED GALVANIZED LAG BOLT AND WASHER

NOTES:

1. ALL MANHOLE FRAMES SHALL BE DOMESTICALLY CAST.
2. FRAME SHALL BE A MINIMUM WEIGHT OF 182 LBS. WITHIN PUBLIC ROW AND 160 LBS. WITHIN EASEMENTS.
3. COVER SHALL WEIGH A MIN. OF 120 LBS.
4. ALL MANHOLE FRAMES OUTSIDE OF PAVED SURFACES SHALL BE BOLTED TO THE CONE SECTION OR RING WITH A MINIMUM OF 4 BOLTS PER FRAME.

CITY OF RALEIGH
STANDARD DETAIL

REVISIONS	DATE: 01/18/2025	NOT TO SCALE
STANDARD MANHOLE COVER		
S-25		