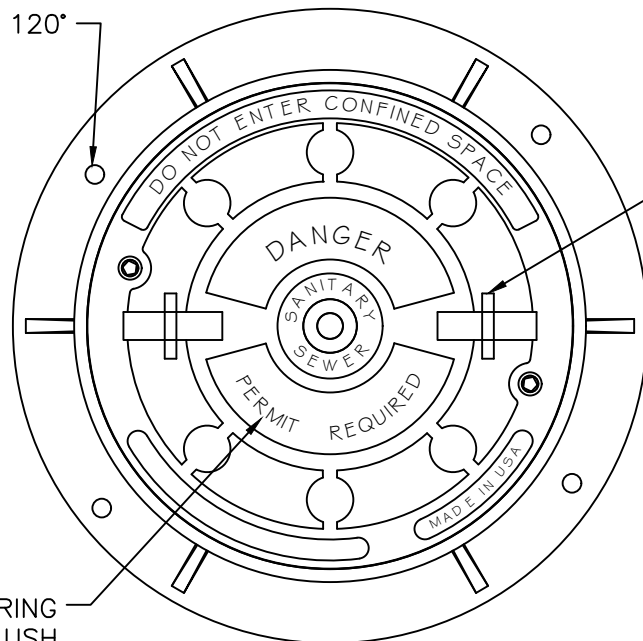


(4) 1" ϕ HOLES @ 120°

MINIMUM AVG. WEIGHT:

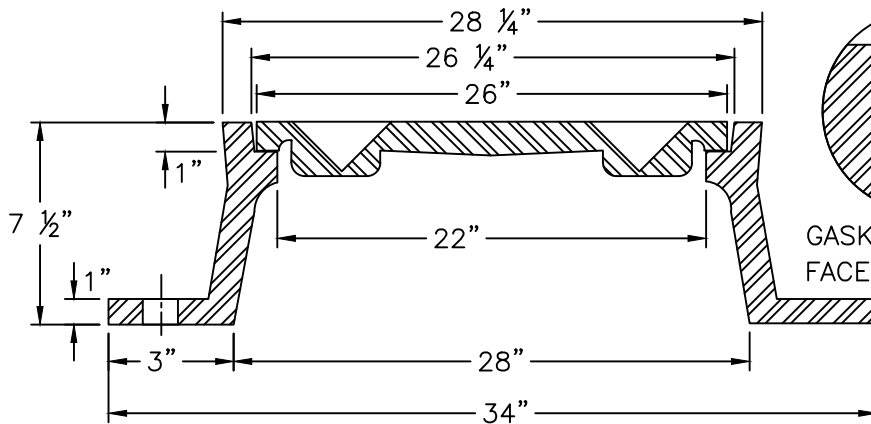
- FRAME 182 LBS
- COVER 160 LBS
- TOTAL 342 LBS



(2) LIFTING BARS

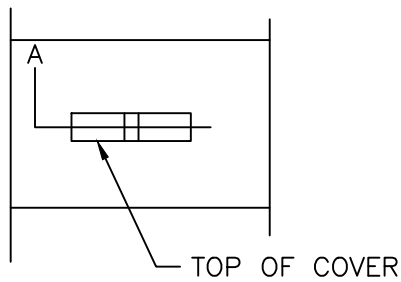
1" LETTERING RECESSED FLUSH

PLAN

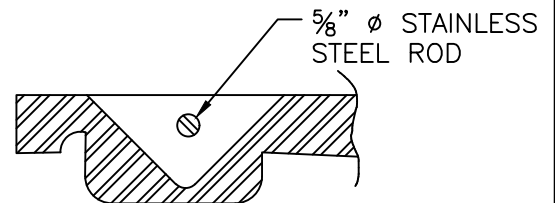


GASKET IN VERTICAL FACE OF COVER

FRAME MUST BE ANCHORED IN ACCORDANCE WITH DETAIL S-25



TYPICAL LIFTING DEVICE



SECTION A

**CITY OF RALEIGH
STANDARD DETAIL**

REVISIONS DATE: 01/18/2025 NOT TO SCALE

MANHOLE FRAME AND
WATERTIGHT COVER

S-26