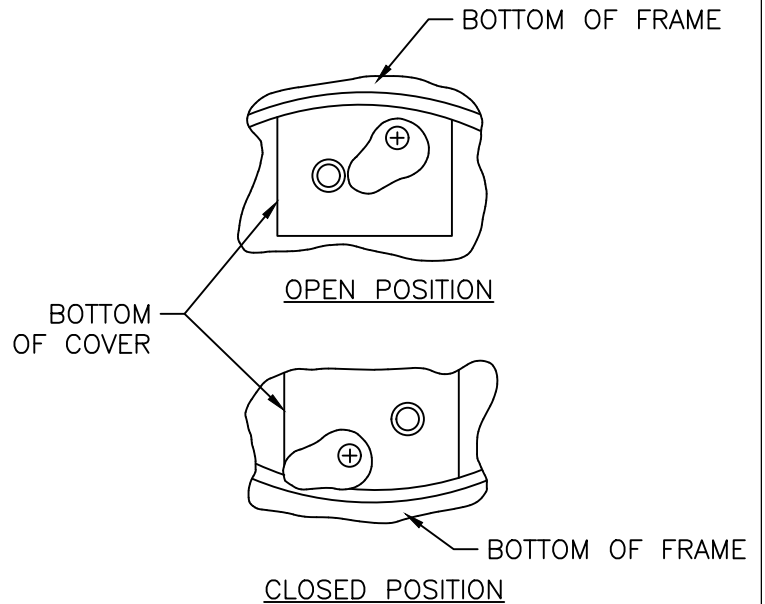
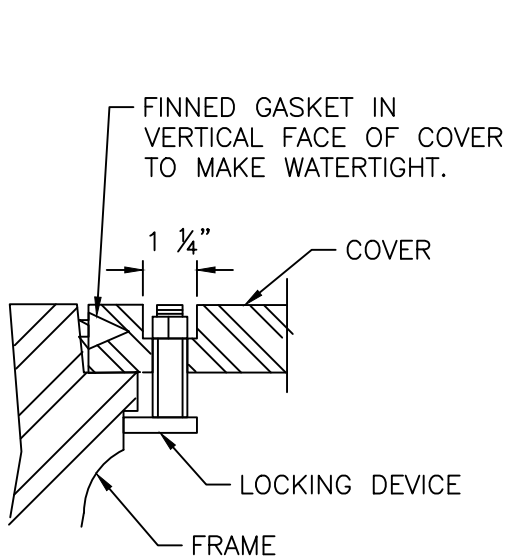


TYPICAL CAM LOCK MANHOLE



TYPICAL LOCKING DEVICE

NOTE:

1. WHEN WATERTIGHT NOT SPECIFIED, TOP SHALL HAVE ONE 1" VENT HOLE.
2. STANDARD: PENTAGON HEAD S.S. OPTIONAL: S.S. HEX HEAD BOLT.
3. RING MUST BE ANCHORED IN ACCORDANCE WITH DETAIL S-25.

CITY OF RALEIGH
STANDARD DETAIL

REVISIONS	DATE: 01/18/2025	NOT TO SCALE
	WATERTIGHT MANHOLE FRAME WITH CAM LOCK COVER	
	S-27	