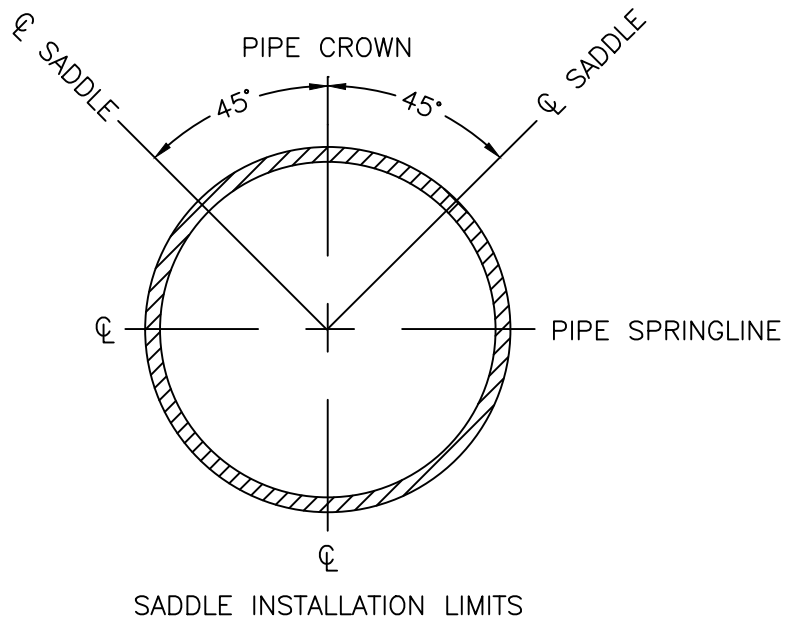


BACKFILL UNDER PVC SADDLE, ADAPTOR, AND CAST IRON BEND WITH #67 STONE AS SHOWN ON DETAIL S-4.



**CITY OF RALEIGH
STANDARD DETAIL**

REVISIONS DATE: 01/18/2025 NOT TO SCALE

LATERAL SADDLE
INSTALLATION DETAIL
FOR PVC PIPE

S-31