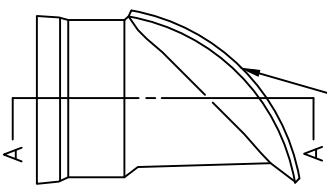
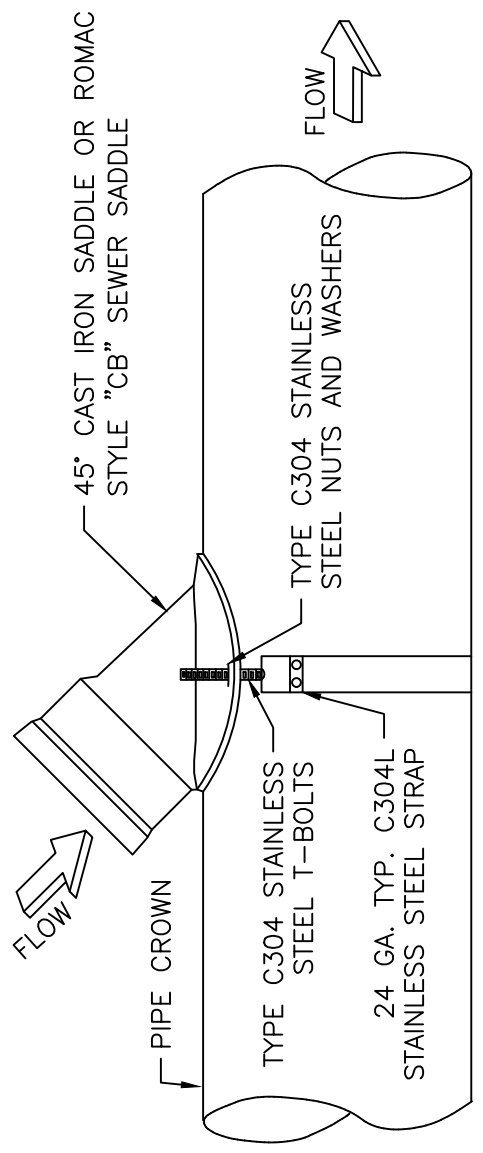
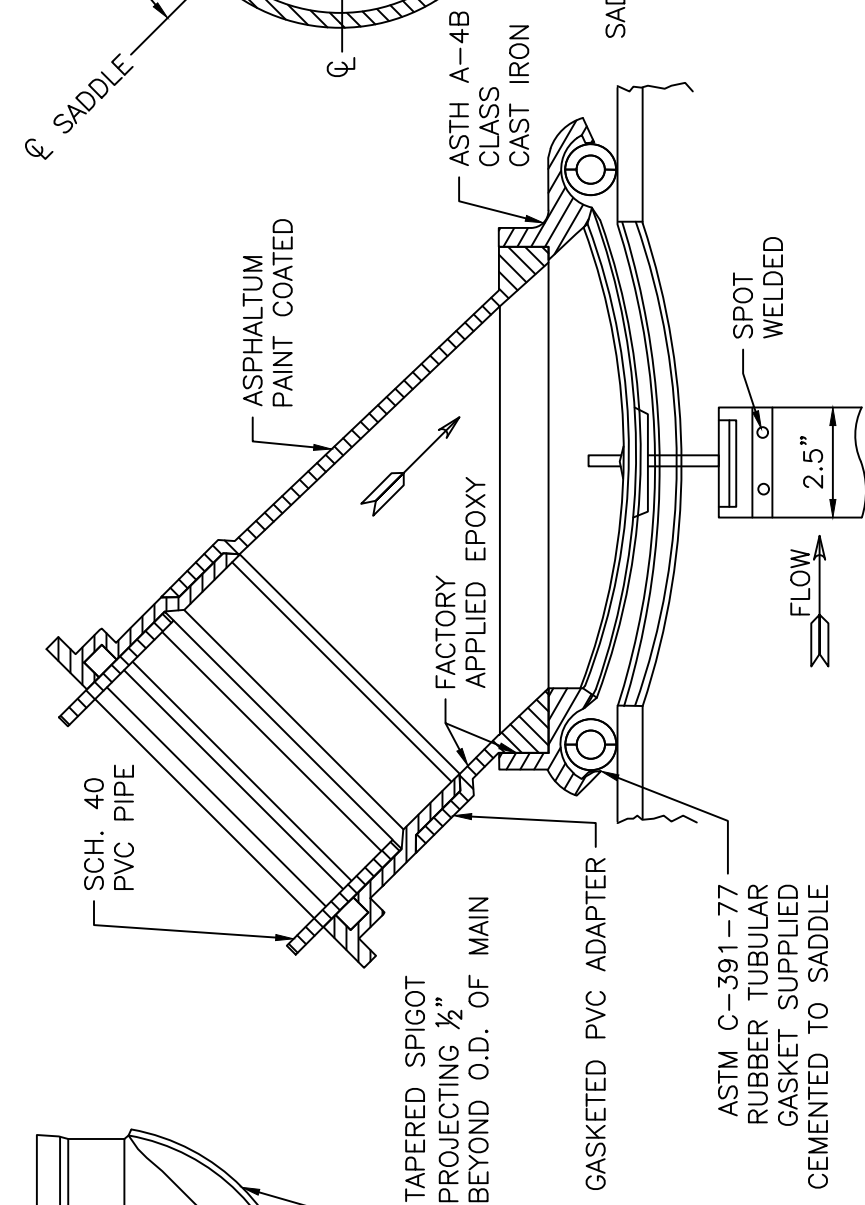


SADDLE INSTALLATION LIMITS



NOTE:
SADDLE TO BE GENECO
E40 OR EQUAL.

**CITY OF RALEIGH
STANDARD DETAIL**

| REVISIONS | DATE: 01/18/2025 | NOT TO SCALE |
|-----------|---|--------------|
| | LATERAL SADDLE INSTALLATION FOR VCP AND DUCTILE IRON PIPE | |
| | S-32 | |