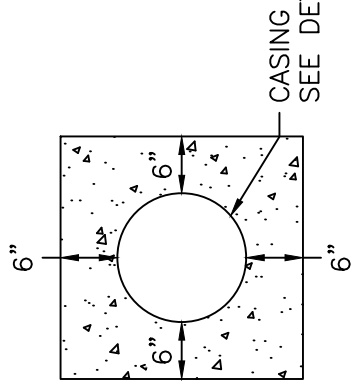


PROFILE VIEW

GROUT CASING ENDS, SEE DETAIL S-18. 1" DRAIN INTO WASHED STONE REQUIRED AT LOW END



CONCRETE COLLAR

- NOTES:
1. FOR CROSSINGS OF LESS THAN 10' NO CASING IS REQUIRED IF THE JOINT OF PIPE IS CENTERED ON THE CROSSING.
  2. THRUST COLLAR MAY BE FIELD WELDED ON STEEL CASING PIPE. IF NO CASING IS REQUIRED THE THRUST COLLAR MUST BE FACTORY WELDED ON DIP CARRIER PIPE.

<b>CITY OF RALEIGH</b>		
<b>STANDARD DETAIL</b>		
<i>REVISIONS</i>	<i>DATE: 01/18/2025</i>	<i>NOT TO SCALE</i>
	AERIAL SEWER SERVICE	
	<b>S-51</b>	