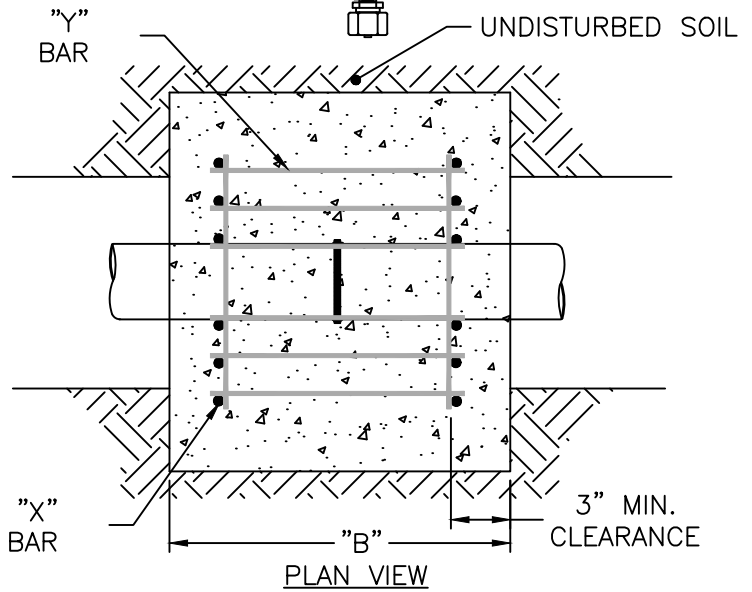
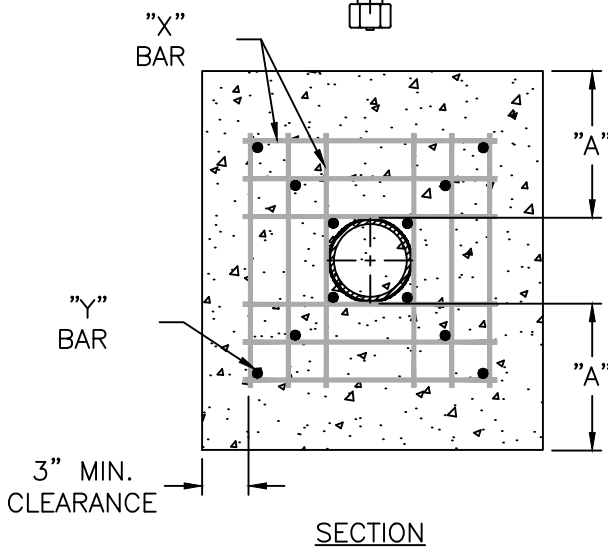
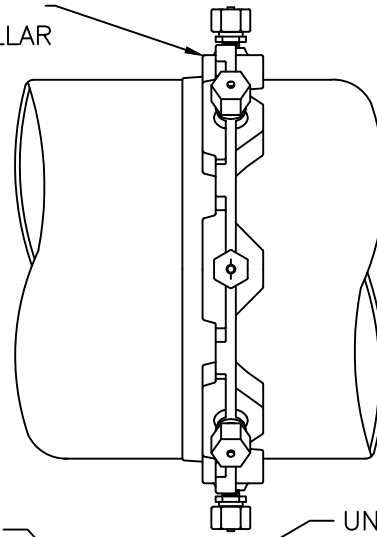


MECHANICAL RESTRAINING COLLAR



REINFORCING REQUIREMENTS

I.D. PIPE	REBAR SIZE	"X" BAR LENGTH	"X" BAR WEIGHT	"Y" BAR LENGTH	"Y" BAR WEIGHT	NO. REQUIRED
6"-36"	#5	2'-2" + O.D. PIPE	1.043 LBS/FT	1'-1"	1.1 LBS. EACH	X-24 Y-12
≥48"	#6	3'-0" + O.D. PIPE	1.502 LBS/FT	1'-3"	1.9 LBS. EACH	X-24 Y-12

THRUST COLLAR, AND THRUST SCEDULE

I.D. PIPE	"A"	"B"	"C"	"D"
6"-16"	1'-4"	1'-7"	2"	3/8"
20"-24"	1'-4"	1'-7"	3"	1/2"
30"-36"	1'-4"	1'-7"	4"	5/8"
≥48"	1'-8"	1'-9"	6"	7/8"

NOTES:

1. CONCRETE SHALL BE 3,000 PSI AND TRANSIT MIXED.
2. REINFORCING BARS SHALL BE DEFORMED AND TIED TOGETHER.
3. TRENCH BOTTOM WIDTH IN VICINITY OF THRUST BLOCK INSTALLATION SHALL BE THE MINIMUM WIDTH AS SHOWN ON DETAIL S-5.
4. BACKFILL TAMPED IN 6" LIFTS, SEE DETAIL S-4 & S-5.
5. MECHANICAL RESTRAINING COLLAR SHALL BE AS MANUFACTURED BY MEGA-LUG OR EQUAL.

CITY OF RALEIGH
STANDARD DETAIL

REVISIONS	DATE: 01/18/2025	NOT TO SCALE
RESTRAINING COLLAR DESIGN DATA FOR PVC FORCE MAINS		
S-6A		