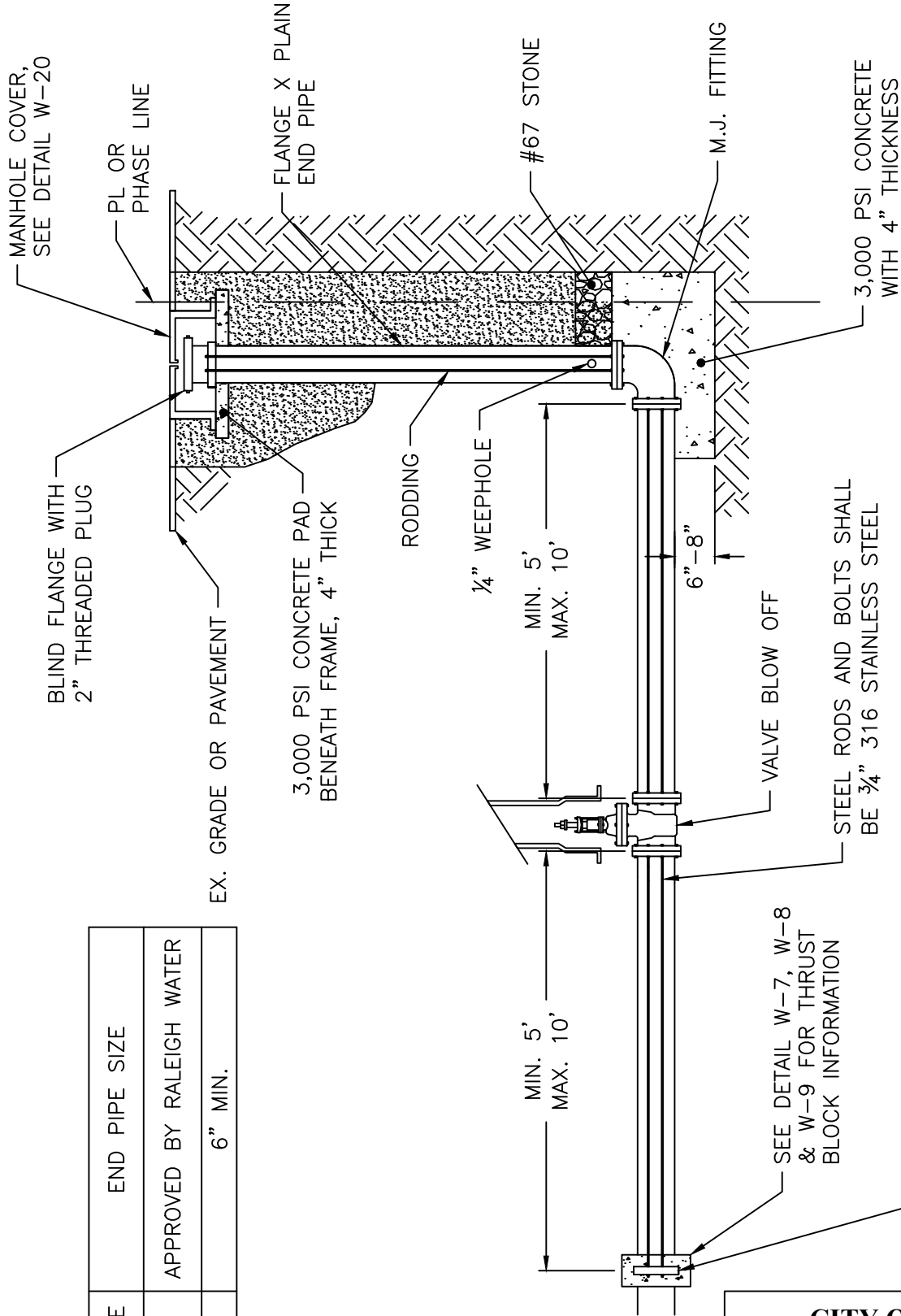


MAIN SIZE	END PIPE SIZE
6"-12"	APPROVED BY RALEIGH WATER
≥16"	6" MIN.



**CITY OF RALEIGH
STANDARD DETAIL**

REVISIONS	DATE: 01/18/2025	NOT TO SCALE
TEMPORARY WATER MAIN BLOW OFF ASSEMBLY		
W-21		

NOTE:
NO ROD COUPLINGS ALLOWED.

STEEL RODS AND BOLTS SHALL
BE 3/4" 316 STAINLESS STEEL

SEE DETAIL W-7, W-8
& W-9 FOR THRUST
BLOCK INFORMATION

MECHANICAL
RESTRAINING GLAND

VALVE BLOW OFF

MIN. 5'
MAX. 10'

MIN. 5'
MAX. 10'

1/4" WEEPHOLE

6"-8"

3,000 PSI CONCRETE
WITH 4" THICKNESS

M.J. FITTING

#67 STONE

FLANGE X PLAIN
END PIPE

PL OR
PHASE LINE

MANHOLE COVER,
SEE DETAIL W-20

BLIND FLANGE WITH
2" THREADED PLUG

EX. GRADE OR PAVEMENT

3,000 PSI CONCRETE PAD
BENEATH FRAME, 4" THICK

RODDING