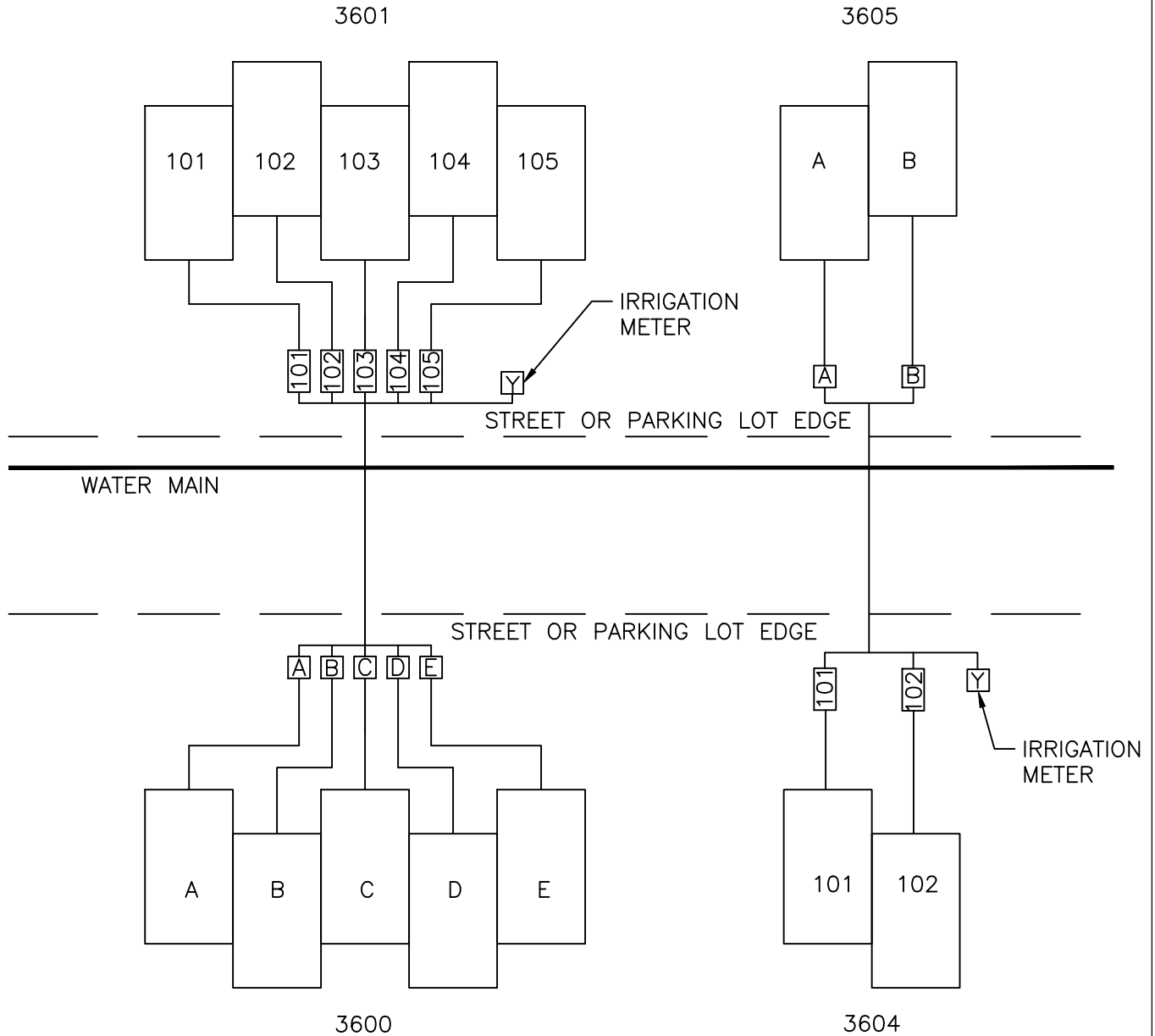


ODD NUMBERED ADDRESS



EVEN NUMBERED ADDRESS

NOTES:

1. EVEN NUMBERED UNITS: METERS SHALL BE SET TO BE READ RIGHT TO LEFT (WHEN FACING BUILDING).
2. ODD NUMBERED UNITS: METERS SHALL BE SET TO BE READ LEFT TO RIGHT (WHEN FACING BUILDING).
3. IF IRRIGATION METER IS INCLUDED, IT SHALL BE THE LAST METER IN NUMBERING SEQUENCE.
4. UNIT 'Y' (FOR YARD METER) SHALL BE USED TO INDICATE IRRIGATION METER.

CITY OF RALEIGH		
STANDARD DETAIL		
<i>REVISIONS</i>	<i>DATE: 01/18/2025</i>	<i>NOT TO SCALE</i>
	GANG METER ADDRESSING SINGLE STORY BUILDING	
	W-27	