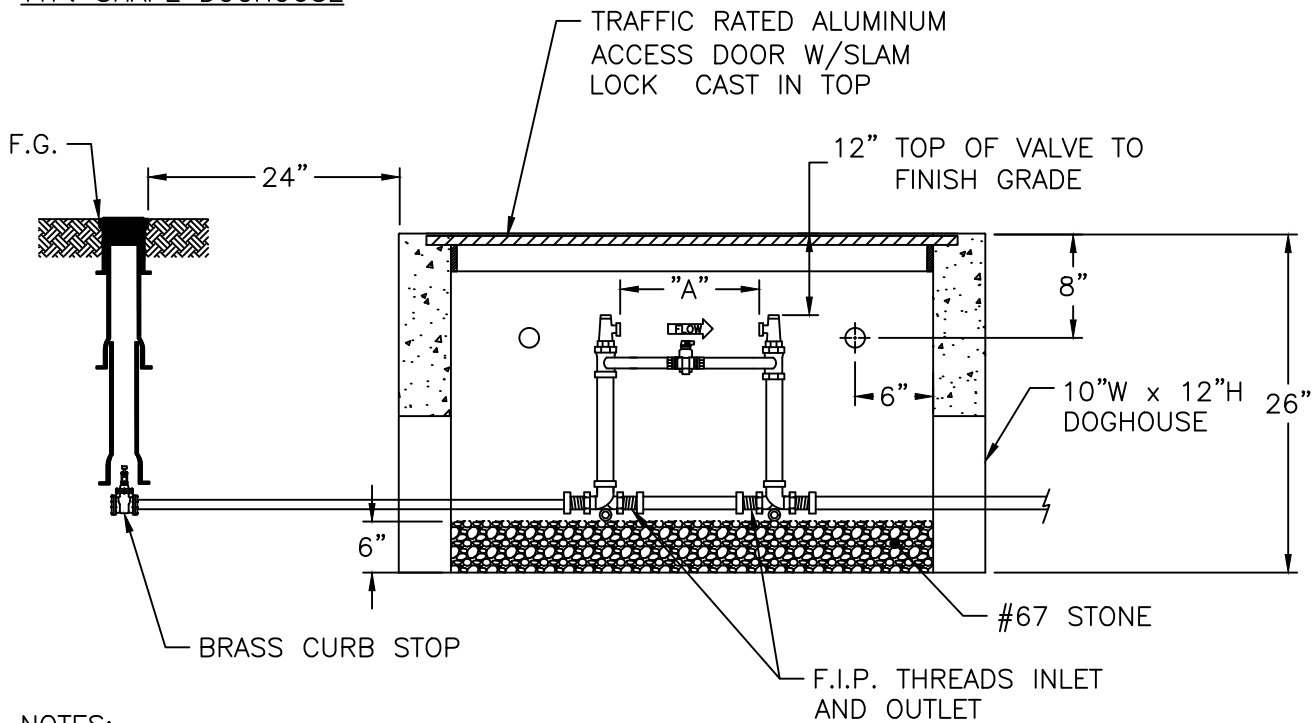


TYP. SHAPE DOGHOUSE



NOTES:

1. METER AS MANUFACTURED BY SENSUS OR NEPTUNE. METER TO BE PROVIDED BY RALEIGH WATER.
2. BACKFILL TAMPED IN 6" LIFTS.
3. REINFORCEMENT: #4 @ 6" O.C.E.W.
4. CONCRETE: 4,000 PSI @ 28 DAYS.
5. ALL RPZ BACKFLOW PREVENTION DEVICES MUST BE INSTALLED PRIOR TO METER BEING SET.
6. ALL COPPER SETTERS ARE TO HAVE A BALL TYPE SHUT OFF VALVE ON BOTH SIDES OF COPPER SETTER WITH HIGH RISE BYPASS THAT IS MANUFACTURED BY FORD, MUELLER, OR AY McDONALD (NO EXCEPTIONS).
7. HEIGHT ADJUSTMENTS ALLOWED BY PRECAST RISERS OR BRICK AND MORTAR. DRY STACKING OF BLOCK IS NOT ALLOWED.

"A"

| | |
|--------------|---------|
| 1 1/2" METER | 13 1/4" |
| 2" METER | 17 1/4" |

**** TRAFFIC RATED VAULT WALL THICKNESS**

**CITY OF RALEIGH
STANDARD DETAIL**

| | | |
|-------------|--|--------------|
| REVISIONS | DATE: 01/18/2025 | NOT TO SCALE |
| | TYPICAL 1 1/2"-2" WATER METER BOX INSTALLATION | |
| W-31 | | |