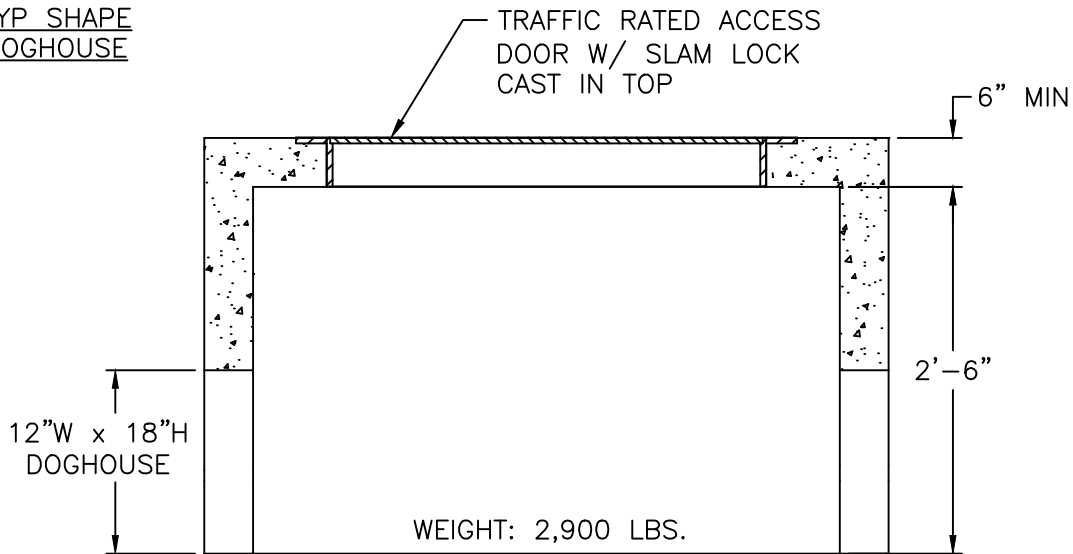


TYP SHAPE  
DOGHOUSE



NOTES:

1. REINFORCEMENT: #4 @ 6" O.C.E.W.
2. CONCRETE: 4,000 PSI @ 28 DAYS.
3. 6" OF #67 STONE SHALL BE PLACED IN BOTTOM OF VAULT.
4. METER FLANGE SHALL BE PLACED 42" BELOW FINISHED GRADE.
5. HEIGHT ADJUSTMENTS ALLOWED BY PRECAST RISERS OR BRICK AND MORTAR. DRY STACKING OF BLOCK IS NOT ALLOWED.

**CITY OF RALEIGH**  
**STANDARD DETAIL**

REVISIONS	DATE: 01/18/2025	NOT TO SCALE
-----------	------------------	--------------

TYPICAL 4" WATER  
METER VAULT

**W-32**