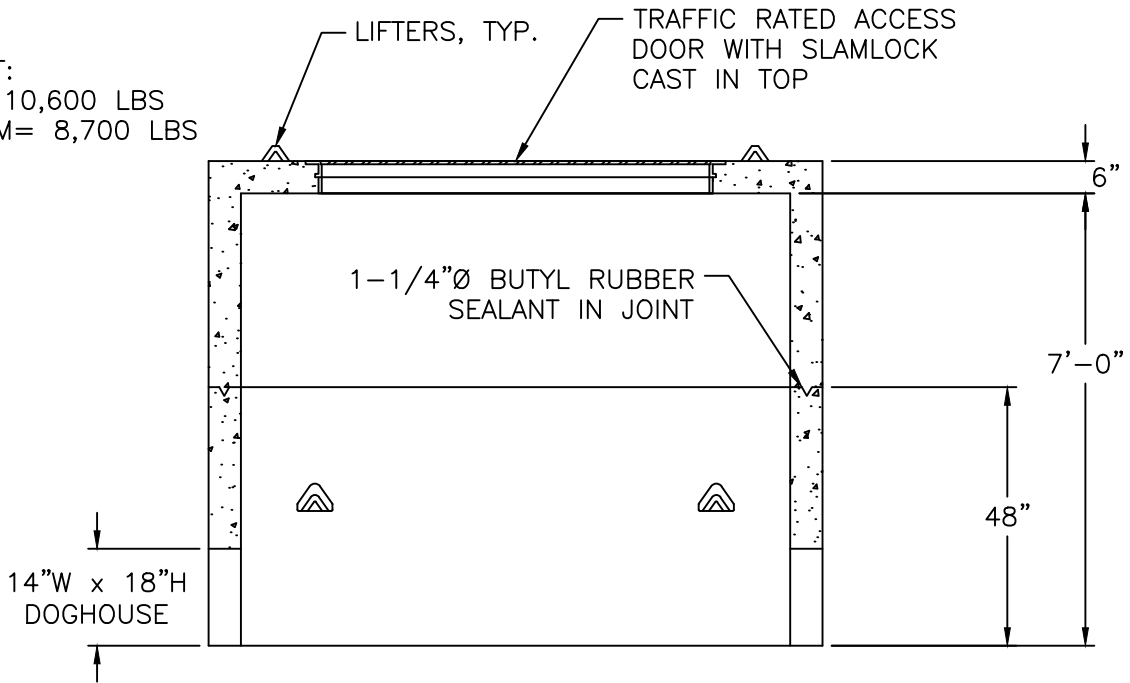


WEIGHT:
 TOP= 10,600 LBS
 BOTTOM= 8,700 LBS



NOTES:

1. REINFORCEMENT: #4 @ 6" O.C.E.W.
2. CONCRETE: 4,000 PSI @ 28 DAYS.
3. 6" OF #67 STONE SHALL BE PLACED IN BOTTOM OF VAULT.
4. METER FLANGE SHALL BE PLACED 49" BELOW FINISHED GRADE.
5. HEIGHT ADJUSTMENTS ALLOWED BY PRECAST RISERS OR BRICK AND MORTAR.
 DRY STACKING OF BLOCK IS NOT ALLOWED.

CITY OF RALEIGH
STANDARD DETAIL

REVISIONS DATE: 01/18/2025 NOT TO SCALE

TYPICAL 6" THRU 10"
 WATER METER VAULT

W-33