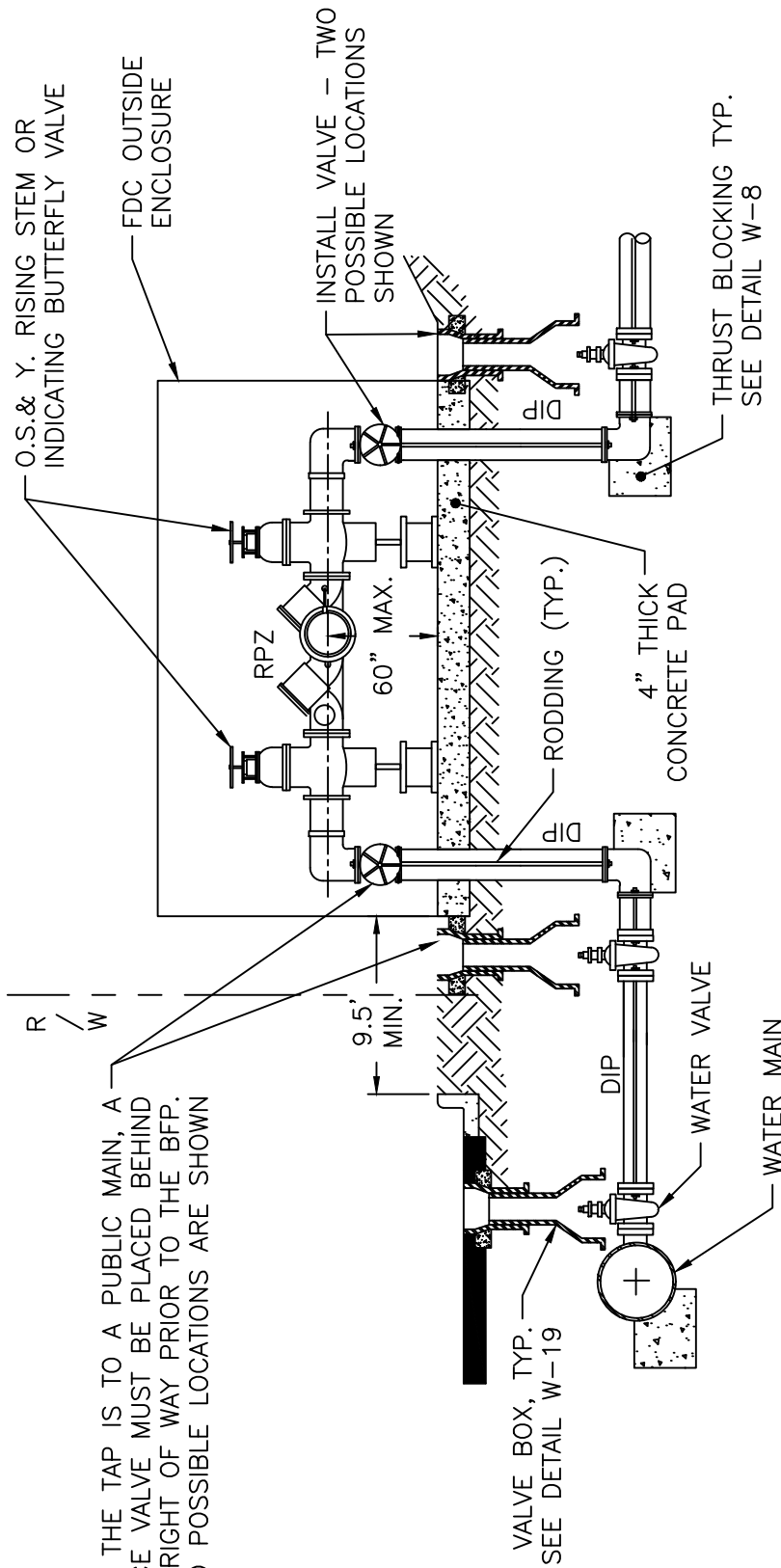


IF THE TAP IS TO A PUBLIC MAIN, A SERVICE VALVE MUST BE PLACED BEHIND THE RIGHT OF WAY PRIOR TO THE BFP. TWO POSSIBLE LOCATIONS ARE SHOWN



NOTES:

1. ENCLOSURE MUST BE ASSE 1060 APPROVED AND HAVE ADEQUATE DRAINAGE.
2. CONTAINMENT RPZ/RPDA BACKFLOW ASSEMBLIES ARE TO BE INSTALLED WITHIN 50 LINEAR PIPING FEET OF THE METER OR RIGHT-OF-WAY FOR FIRE SERVICE LINES AND MEET INSTALLATION REQUIREMENTS AS LISTED IN APPENDIX A: GUIDELINES AND REQUIREMENTS OF THE CROSS CONNECTION AND HYDRANT METER PROGRAM.
3. NO VALVE IN THE EXISTING SYSTEM SHALL BE OPERATED WITHOUT FOLLOWING THE PROCEDURE OUTLINED IN THE RALEIGH WATER PUBLIC UTILITY DESIGN MANUAL. THE CONTRACTOR SHALL NOTIFY RALEIGH WATER'S DISTRIBUTION DIVISION AT 919-996-3245 TO REQUEST THE OPERATION OF ANY VALVE.
4. RESIDENTIAL LAWN IRRIGATION R.P. ASSEMBLIES THAT ARE REMOVED TO PREVENT FREEZING IN THE WINTER MONTHS MUST BE CAPPED OFF. ALL ABOVE GROUND ASSEMBLIES, EXCEPT RESIDENTIAL LAWN IRRIGATION ASSEMBLIES, MUST BE PROTECTED FROM FROST.
5. ALL CONTAINMENT BACKFLOW ASSEMBLIES MUST BE ASSE AND USC APPROVED.
6. STEEL RODS AND BOLTS SHALL BE 3/4" 316 STAINLESS STEEL.

CITY OF RALEIGH
STANDARD DETAIL

REVISIONS

DATE: 01/18/2025

NOT TO SCALE

REDUCED PRESSURE ZONE
AND REDUCED PRESSURE
DETECTOR ASSEMBLY

W-36