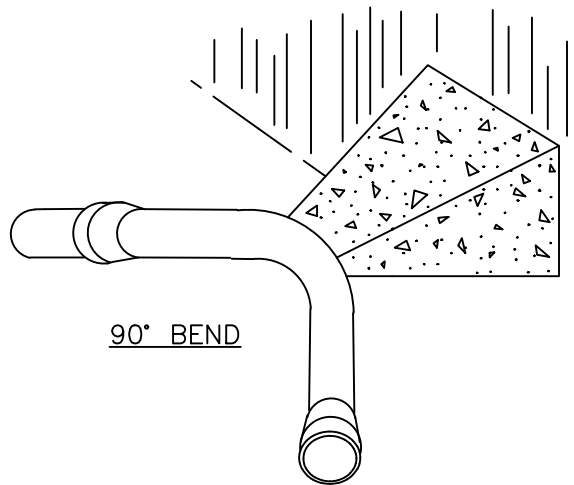
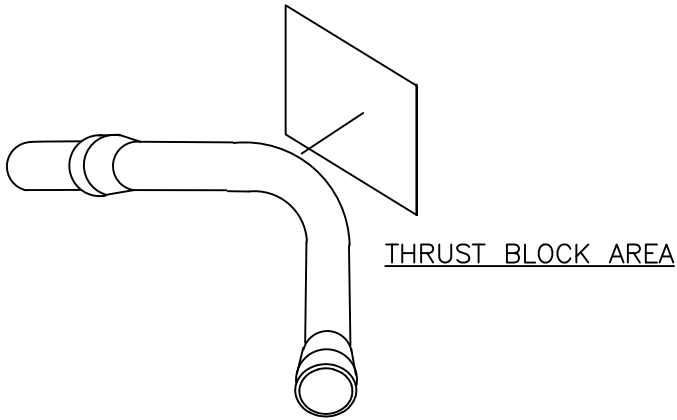
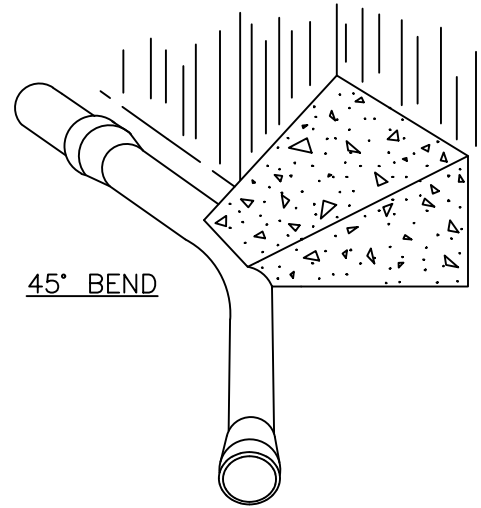
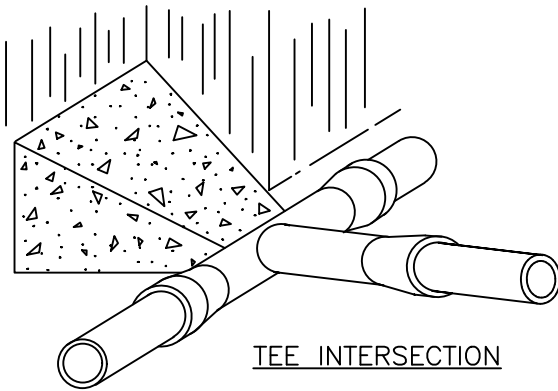


THRUST BLOCKING



NOTES:

1. CONCRETE SHALL BE 3,000 PSI.
2. CONCRETE SHALL NOT CONTACT BOLTS OR ENDS OF MECHANICAL JOINT FITTINGS.
3. TRENCHES SHALL CONFORM TO DETAIL W-3.
4. SEE DETAIL W-10 & W-11 (THRUST BLOCK TABLES) FOR AREA OF CONCRETE REQUIRED.
5. ALL BENDS AND INTERSECTIONS SHALL HAVE CONCRETE THRUST BLOCKING.

CITY OF RALEIGH		
STANDARD DETAIL		
<i>REVISIONS</i>	<i>DATE: 01/18/2025</i>	<i>NOT TO SCALE</i>
	THRUST BLOCKING VIEWS	
	W-9	